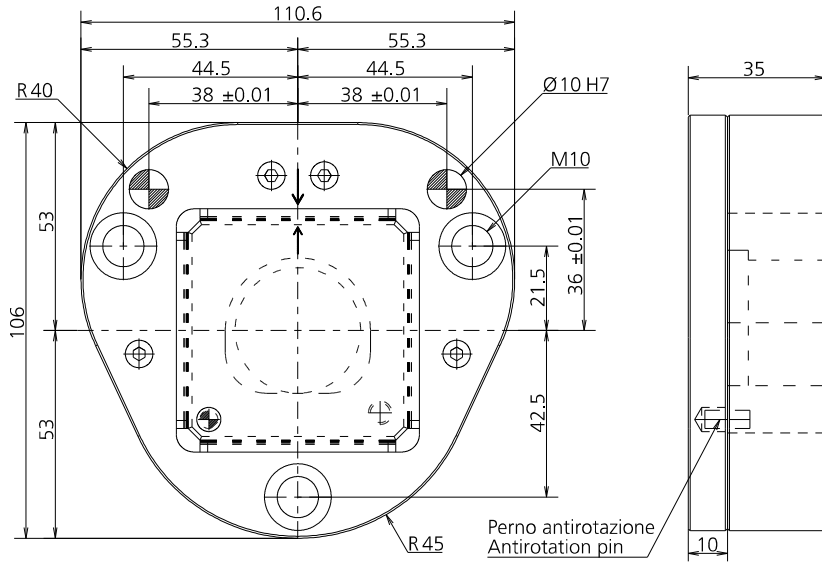




1014.0100 - PORTAPUNZONE REGOLABILE

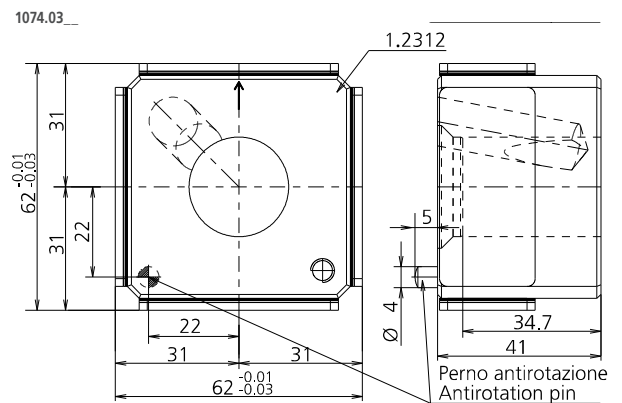
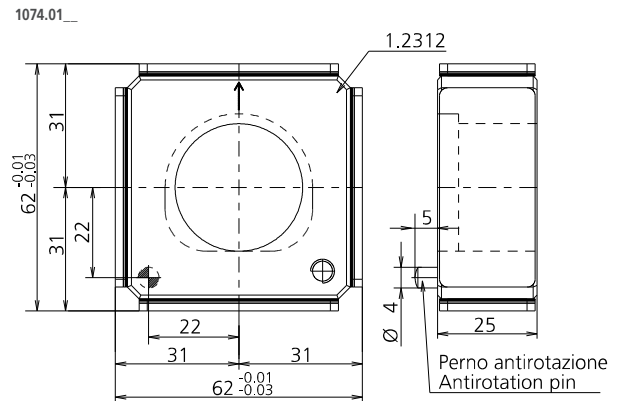
ADJUSTABLE PUNCH HOLDER / VERSTELLBARE STEMPELHALTEPLATTEN / PORTE-POINÇON RÉGLABLE



CODE	DESCRIPTION
1014.0100	ADJUSTABLE PUNCH HOLDER

CODE	PUNCH	Q.TY
1074.0132	ISO8020 Ø32	1*CHOOSE
1074.0140	ISO8020 Ø40	1*CHOOSE

CODE	PUNCH	Q.TY
1074.0316	BALLOCK HEAVY DUTY Ø16	1*CHOOSE
1074.0320	BALLOCK HEAVY DUTY Ø20	1*CHOOSE
1074.0325	BALLOCK HEAVY DUTY Ø25	1*CHOOSE
1074.0332	BALLOCK HEAVY DUTY Ø32	1*CHOOSE
1074.0340	BALLOCK HEAVY DUTY Ø40	1*CHOOSE



MODELLO D'ORDINE / ORDER EXAMPLE / BESTELLBEISPIEL / MODÈLE DE COMMANDE

MODEL **1014.0100** OPTION CODE **1074.0232**