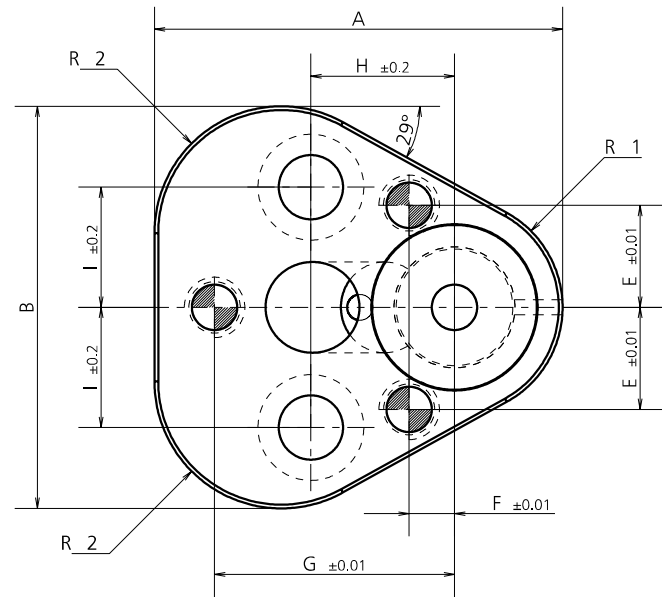
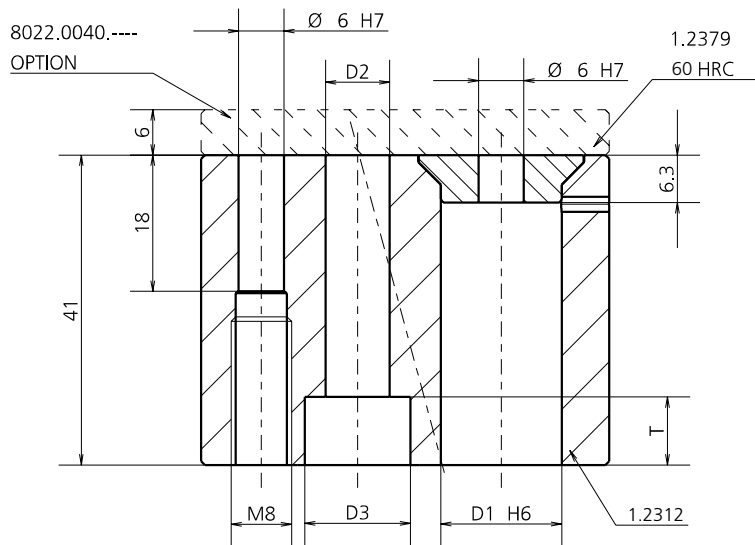


1044 - PORTAPUNZONE TRIANGOLARE PER BALLOCK HEAVY DUTY

TRIANGULAR PUNCH HOLDER FOR BALLOCK HEAVY DUTY / DREIECKIGER LOCHSTEMPELTRÄGER FÜR BALLOCK HEAVY DUTY
 PORTE-POINÇON TRIANGULAIRE POUR BALLOCK HEAVY DUTY

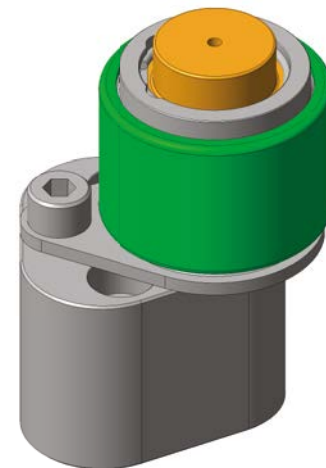


Le viti e le spine di fissaggio sono comprese nella fornitura. / Fixing screws and pins are included in the delivery. / Befestigungsschrauben und stopfen sind im lieferumfang enthalten.
 / Les vis de fixation et les bouchons sont inclus dans la livraison.

MODEL	A	B	D1	D2	D3	E	F	G	H	I	T	R1	R2
1044.0010	44.5	43.7	10	9	15	9	7.5	26.925	19	11.1	9	9.5	12
1044.0013	50.8	50	13	9	15	12	6.5	29.97	19	14.3	9	12.7	15.2
1044.0016	54	53.2	16	9	15	13.5	6	31.75	19	15.9	9	14.3	16.8
1044.0020	60.3	59.5	20	11	18	16.5	5	33.53	19	17.5	11	17.5	20
1044.0025	69.9	69.1	25	13.5	20	22	7	40.64	23.8	19.8	13.5	22.2	24.7
1044.0032	69.9	69.1	32	13.5	20	22	7	40.64	23.8	19.8	13.5	22.2	24.7
1044.0040	77.4	76.6	40	13.5	20	26	10	43.993	27	24	13.5	26	28.5

CODE	DESCRIPTION	Q.TY
8022.0040.0810	PIASTRINA / PLATE / PLATTE Ø10	1*OPTION
8022.0040.0013	PIASTRINA / PLATE / PLATTE Ø13	1*OPTION
8022.0040.0016	PIASTRINA / PLATE / PLATTE Ø16	1*OPTION
8022.0040.0020	PIASTRINA / PLATE / PLATTE Ø20	1*OPTION
8022.0040.2532	PIASTRINA / PLATE / PLATTE Ø25	1*OPTION
8022.0040.2532	PIASTRINA / PLATE / PLATTE Ø32	1*OPTION
8022.0040.3840	PIASTRINA / PLATE / PLATTE Ø40	1*OPTION

POSSIBILI APPLICAZIONI / POSSIBLE APPLICATIONS / MÖGLICHE ANWENDUNGEN
 APPLICATIONS POSSIBLES



POSSIBILITÀ DI UTILIZZO CON STARK STRIP / POSSIBILITY TO USE WITH STARK STRIP
 ANWENDUNGSMÖGLICHKEITEN MIT STARK STRIP / POSSIBILITÉ D'UTILISATION AVEC STARK STRIP

MODELLO D'ORDINE / ORDER EXAMPLE / BESTELLBEISPIEL / MODÈLE DE COMMANDE

MODEL **1044** DIAMETER PUNCH **0010** OPTION CODE **8022.0040.0810**