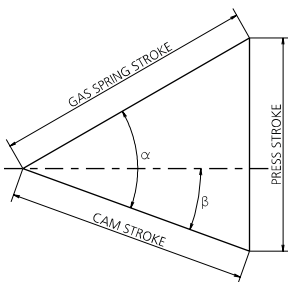
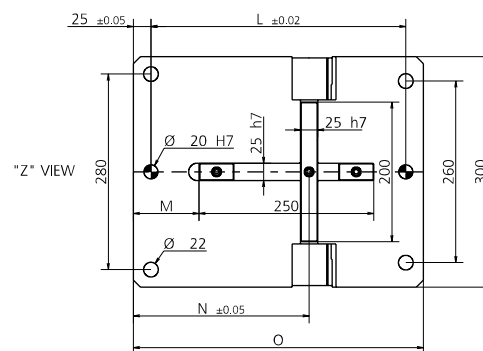
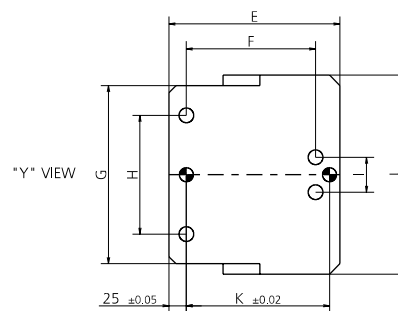
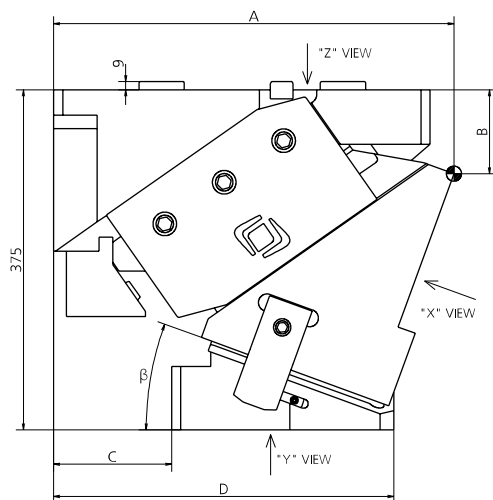
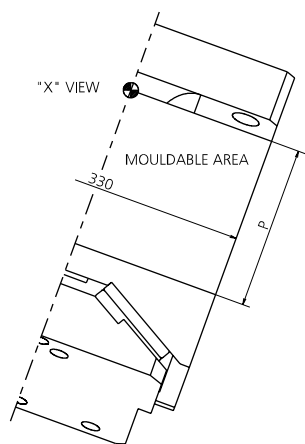


POS.	DESCRIPTION	Q.TY
001	CUNEO / WEDGE / DRUCKKEIL	1
002	SLITTA / SLIDER / LAGERKEIL	1
003	CORPO CAMMA / CAM BODY / GRUNDGEHÄUSE	1
004	STAFFA DI AGGANCIAMENTO / BRACKET ATTACHMENTS / BRACKETBEFESTIGUNG	2
005	PIASTRINA / PLATE / PLATTE	1
006	DISTANZIALE / SPACER / ABSTANDSHALTER	1
007	STAFFA / BRACKET / BRACKET	1
008	STAFFA / BRACKET / BRACKET	1
009	FINECORSO / LIMIT SWITCHES / ENDSCHALTER	2
010	PIASTRA DI SCORRIMENTO / WEAR PLATE / DRUCKPLATTE	2

POS.	DESCRIPTION	Q.TY
011	CILINDRO AD AZOTO / NITROGEN CYLINDER / STICKSTOFFZYLINDER	1
012	PUNTALINO / BUMP STOP / STOSSDÄMPFERSPITZE	2
013	SENSORE DI SICUREZZA / SECURITY SENSOR / SENSOR FÜR SICHERHEIT	1*OPTION
014	PIASTRA DI SCORRIMENTO / WEAR PLATE / DRUCKPLATTE	2
015	CHIAVETTA / KEY / SCHLÜSSEL	2
016	CHIAVETTA / KEY / SCHLÜSSEL	2
017	PIASTRA DI SCORRIMENTO / WEAR PLATE / DRUCKPLATTE	4
018	FINECORSO / LIMIT SWITCHES / ENDSCHALTER	1
019	PIASTRA DI SCORRIMENTO / WEAR PLATE / DRUCKPLATTE	2
020	CHIAVETTA / KEY / SCHLÜSSEL	1



β	α	PRESS STROKE	GAS SPRING STROKE	CAM STROKE	EXTRACTION FORCE (DAN)	CUTTING FORCE (DAN)
0°	50°	44.43	58	37.28	6390	100600
5°	50°	44.6	58	41.17	6460	100500
10°	55°	48.24	58	41.64	6660	100500
15°	55°	49.19	58	46	6780	100500
20°	55°	50.56	58	50.56	6950	100700
25°	60°	55.42	58	52.42	7120	100900
30°	60°	58	58	58	7370	101000
35°	65°	64.17	58	61.32	7510	101200
40°	65°	68.62	58	68.62	7850	101300
45°	70°	77.08	58	74.34	7960	101400
50°	70°	84.79	58	84.79	8440	101500
55°	75°	97.67	58	95.02	8510	101600
60°	75°	112.05	58	112.05	9180	101700
65°	80°	104.86	45	102.85	9480	101800
70°	85°	131.07	45	127.09	9490	101900
75°	85°	115.47	30	114.15	9590	102000



CODE	β	A	B	C	D	E	F	G	H	I	J	K	L	M	N	O	P
0150.0330-00	0°	403	75	130	410	280	185	254	170	60	285	205	365	72	209.5	415	180
0150.0330-05	5°	410.89	94.3	130	398	268	185	254	170	50	285	205	365	82.5	220	415	180
0150.0330-10	10°	422.28	79.58	130	384	254	185	254	170	50	285	205	365	93	230.5	415	200
0150.0330-15	15°	431.88	85.64	130	385	255	185	254	170	50	285	205	365	103.5	241	415	200
0150.0330-20	20°	441.35	92.53	130	375	245	185	254	170	50	285	205	365	94	251.5	415	200
0150.0330-25	25°	429.84	91.17	80	339	259	145	254	170	50	285	175	365	104.5	237	415	210
0150.0330-30	30°	439.61	105.08	80	330	250	145	254	170	50	285	175	365	95	247.5	415	210
0150.0330-35	35°	444.99	125.55	80	317	237	145	254	170	50	285	175	365	104	256.5	415	210
0150.0330-40	40°	457.94	135.36	80	312	232	145	254	170	50	285	175	365	98	265.5	415	210
0150.0330-45	45°	423.43	144.59	30	255	225	145	254	170	50	285	175	401	62	224.5	450	220
0150.0330-50	50°	443.36	162.6	30	252	222	145	254	170	50	285	175	401	56	233.5	450	220
0150.0330-55	55°	455.98	189.14	30	256	226	145	254	170	50	285	175	401	63.4	240.9	450	220
0150.0330-60	60°	468.23	212.11	30	258	228	145	254	170	50	285	175	401	71	248.5	450	220
0150.0330-65	65°	470.87	225.73	0	242	242	140	330	293	293	330	175	401	71	248.5	450	220
0150.0330-70	70°	467.46	240.84	0	232	232	125	330	293	293	330	175	401	71	248.5	450	220
0150.0330-75	75°	457.13	252.18	0	221	221	105	330	293	293	330	160	401	56	233.5	450	220

13 PATENT PENDING

13 (9003) SENSORE / SENSOR / SENSOR



MODELLO D'ORDINE / ORDER EXAMPLE / BESTELLBEISPIEL / MODÈLE DE COMMANDE

MODEL **0150.0330** INCLINAZIONE **-10°** OPTION CODE **9003.0002**