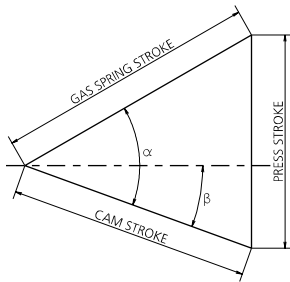
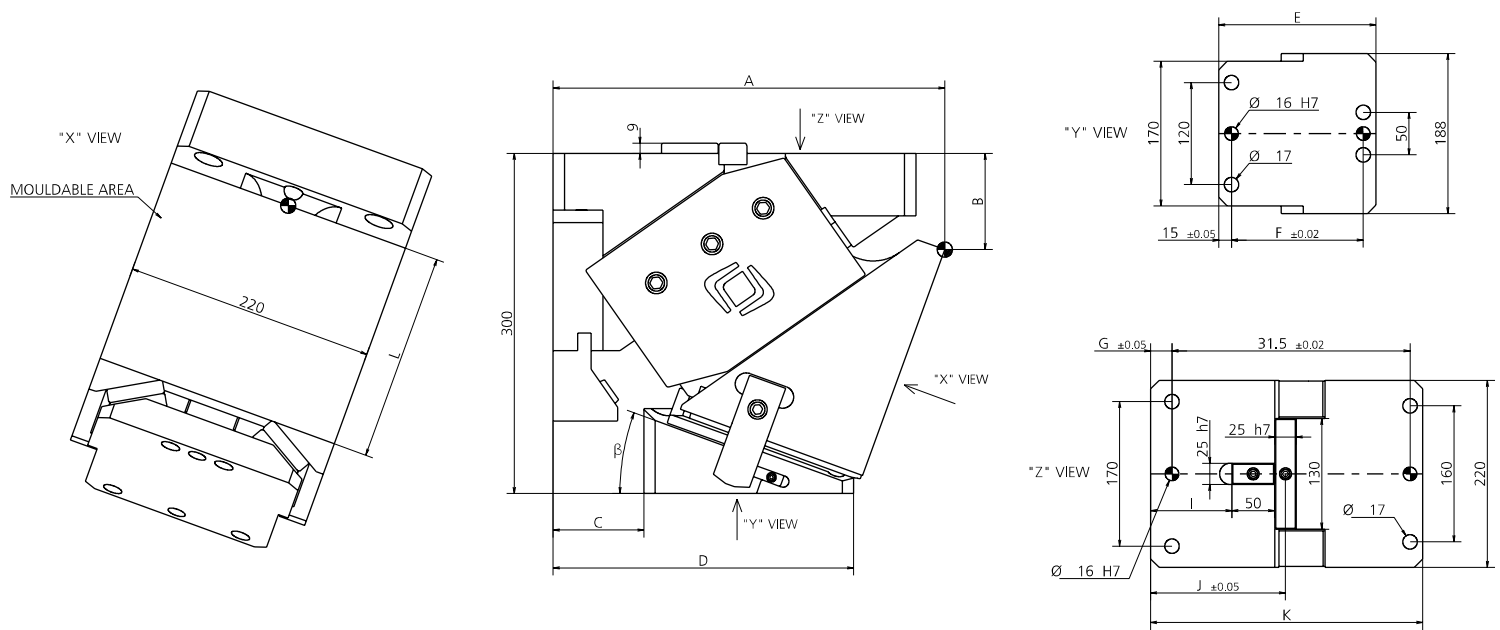


POS.	DESCRIPTION	Q.TY
001	CUNEO / WEDGE / DRUCKKEIL	1
002	SLITTA / SLIDER / LAGERKEIL	1
003	CORPO CAMMA / CAM BODY / GRUNDGEHÄUSE	1
004	STAFFA DI AGGANCO / BRACKET ATTACHMENTS / BRACKETBEFESTIGUNG	2
005	PIASTRINA / PLATE / PLATTE	1
006	DISTANZIALE / SPACER / ABSTANDSHALTER	1
007	STAFFA / BRACKET / BRACKET	1
008	STAFFA / BRACKET / BRACKET	1
009	FINECORSO / LIMIT SWITCHES / ENDSCHALTER	2
010	PIASTRA DI SCORRIMENTO / WEAR PLATE / DRUCKPLATTE	2
011	CILINDRO AD AZOTO / NITROGEN CYLINDER / STICKSTOFFZYLINDER	1

POS.	DESCRIPTION	Q.TY
012	PUNTALINO / BUMP STOP / STOSSDÄMPFERSPITZE	2
013	SENSORE DI SICUREZZA / SECURITY SENSOR / SENSOR FÜR SICHERHEIT	1*OPTION
014	PIASTRA DI SCORRIMENTO / WEAR PLATE / DRUCKPLATTE	2
015	CHIAVETTA / KEY / SCHLÜSSEL	1
016	CHIAVETTA / KEY / SCHLÜSSEL	2
017	PIASTRA DI SCORRIMENTO / WEAR PLATE / DRUCKPLATTE	2
018	PIASTRA DI SCORRIMENTO / WEAR PLATE / DRUCKPLATTE	2
019	CHIAVETTA / KEY / SCHLÜSSEL	2
020	FINECORSO / LIMIT SWITCHES / ENDSCHALTER	1
021	PIASTRA DI SCORRIMENTO / WEAR PLATE / DRUCKPLATTE	2



β	α	PRESS STROKE	GAS SPRING STROKE	CAM STROKE	EXTRACTION FORCE (DAN)	CUTTING FORCE (DAN)
0°	50°	38.3	50	32.14	1880	63500
5°	50°	38.45	50	35.49	1930	64800
10°	55°	41.59	50	35.9	2010	66100
15°	55°	42.4	50	39.65	2090	67400
20°	55°	43.59	50	43.59	2180	68700
25°	60°	47.78	50	45.19	2270	70000
30°	60°	50	50	50	2410	71400
35°	65°	55.32	50	52.86	2480	72700
40°	65°	59.16	50	59.16	2680	72700
45°	70°	66.45	50	64.09	2750	72800
50°	70°	73.1	50	73.1	3040	72900
55°	75°	84.2	50	81.92	3110	72900
60°	75°	96.59	50	96.59	3530	73000
65°	80°	93.21	40	91.42	3710	73000
70°	80°	100.78	35	100.78	4390	73100
75°	85°	96.23	25	95.13	4450	73200



CODE	β	A	B	C	D	E	F	G	H	I	J	K	L
0150.0220-00	0°	308	60	80	295	215	155	25	280	64	127	320	160
0150.0220-05	5°	317.63	64.37	80	290	210	155	25	280	71.5	134.5	320	160
0150.0220-10	10°	329.02	59.74	80	280	200	155	25	280	79	142	320	190
0150.0220-15	15°	337.52	73.23	80	270	190	155	25	280	88	151	320	183
0150.0220-20	20°	345.49	84.88	80	265	185	155	25	280	95.5	158.5	320	183
0150.0220-25	25°	361.95	76.64	60	255	195	150	15	330	104.5	167.5	360	200
0150.0220-30	30°	377.11	82.09	60	250	190	150	15	330	112	175	360	200
0150.0220-35	35°	391.62	91.8	60	245	185	150	15	330	119.5	182.5	360	210
0150.0220-40	40°	405.3	104.68	60	240	180	150	15	330	127	190	360	210
0150.0220-45	45°	383.99	119.03	45	205	160	130	15	335	98	161	365	210
0150.0220-50	50°	393.72	138.1	45	205	160	130	15	335	104	167	365	210
0150.0220-55	55°	402.62	157.99	45	206	161	130	15	335	89.5	152.5	365	210
0150.0220-60	60°	414.96	176.11	45	204	159	130	15	335	96.5	159.5	365	210
0150.0220-65	65°	413.15	192	45	206	161	130	15	335	96.5	159.5	365	210
0150.0220-70	70°	419.03	202.95	45	208	163	130	15	335	96.5	159.5	365	210
0150.0220-75	75°	400.37	233.99	35	180	145	115	15	335	96.5	159.5	365	210

13 PATENT PENDING

13 (9003) SENSORE / SENSOR / SENSOR



MODELLO D'ORDINE / ORDER EXAMPLE / BESTELLBEISPIEL / MODÈLE DE COMMANDE

MODEL **0150.0220** INCLINATION **-10°** OPTION CODE **9003.0002**