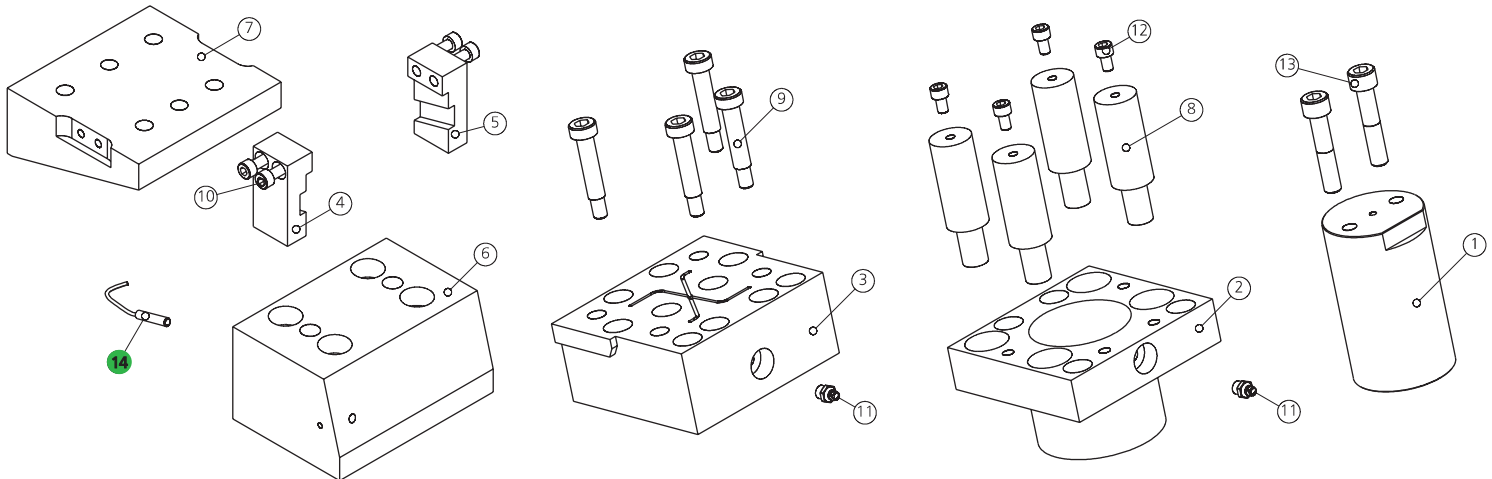


0151.1206 - CAM SUPER-SMEG1206

FORZA INIZIALE DI ESTRAZIONE / INITIAL EXTRACTION FORCE **1280 daN**
 RÜCKZUGSKRAFT / FORCE INITIALE D'EXTRACTION
 FORZA FINALE DI ESTRAZIONE / FINAL FORCE OF EXTRACTION **1925 daN**
 ENDKRAFT DER EXTRAKTION / FORCE FINALE D'EXTRACTION

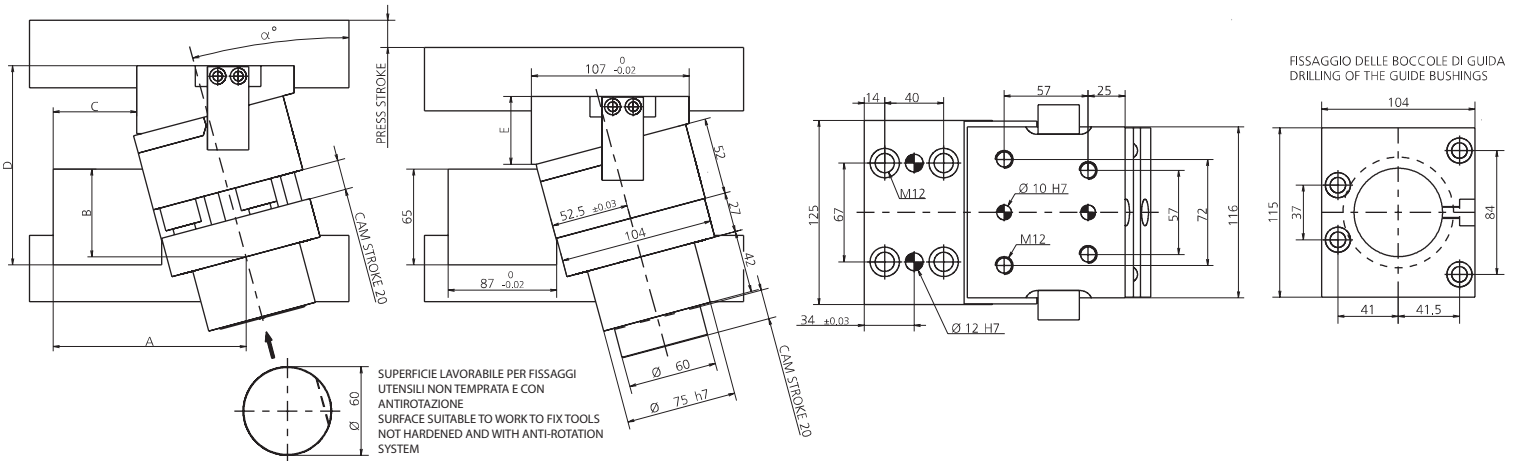
SFORZO MAX TRANCIO **12000 daN**
 CUTTING MAX FORCE
 MAXIMALE SCHNITTKRAFT
 EFFORT MAXI DÉCOUPE



POS.	CODE	DESCRIPTION	Q.TY
001	8018.1000.0000.600.001	PERNO CENTRALE / CENTRAL PIN / HAUPTSTIFT	1
002	8013.0690.0750.600.001	BOCCOLA DI GUIDA / GUIDE BUSHINGS / FÜHRUNGSBUCHSE	1
003	8014.0051.1206	PORTA PUNZONE / PUNCHES HOLDER / TRÄGERPLATTE	1
004	8115.4851.1106.05.001	STAFFA DI AGGANCIAMENTO / BRACKET ATTACHMENTS / BRACKETBEFESTIGUNG 5°	1*CHOOSE
004	8115.4851.1106.10.001	STAFFA DI AGGANCIAMENTO / BRACKET ATTACHMENTS / BRACKETBEFESTIGUNG 10°	1*CHOOSE
004	8115.4851.1106.15.001	STAFFA DI AGGANCIAMENTO / BRACKET ATTACHMENTS / BRACKETBEFESTIGUNG 15°	1*CHOOSE
004	8115.4851.1106.20.001	STAFFA DI AGGANCIAMENTO / BRACKET ATTACHMENTS / BRACKETBEFESTIGUNG 20°	1*CHOOSE
004	8115.4851.1106.25.001	STAFFA DI AGGANCIAMENTO / BRACKET ATTACHMENTS / BRACKETBEFESTIGUNG 25°	1*CHOOSE
004	8115.4851.1106.30.001	STAFFA DI AGGANCIAMENTO / BRACKET ATTACHMENTS / BRACKETBEFESTIGUNG 30°	1*CHOOSE
004	8115.4851.1106.35.001	STAFFA DI AGGANCIAMENTO / BRACKET ATTACHMENTS / BRACKETBEFESTIGUNG 35°	1*CHOOSE
004	8115.4851.1106.40.001	STAFFA DI AGGANCIAMENTO / BRACKET ATTACHMENTS / BRACKETBEFESTIGUNG 40°	1*CHOOSE
004	8115.4851.1106.45.001	STAFFA DI AGGANCIAMENTO / BRACKET ATTACHMENTS / BRACKETBEFESTIGUNG 45°	1*CHOOSE
004	8115.4851.1106.50.001	STAFFA DI AGGANCIAMENTO / BRACKET ATTACHMENTS / BRACKETBEFESTIGUNG 50°	1*CHOOSE
005	8115.4851.1106.05.002	STAFFA DI AGGANCIAMENTO / BRACKET ATTACHMENTS / BRACKETBEFESTIGUNG 5°	1*CHOOSE
005	8115.4851.1106.10.002	STAFFA DI AGGANCIAMENTO / BRACKET ATTACHMENTS / BRACKETBEFESTIGUNG 10°	1*CHOOSE
005	8115.4851.1106.15.002	STAFFA DI AGGANCIAMENTO / BRACKET ATTACHMENTS / BRACKETBEFESTIGUNG 15°	1*CHOOSE
005	8115.4851.1106.20.002	STAFFA DI AGGANCIAMENTO / BRACKET ATTACHMENTS / BRACKETBEFESTIGUNG 20°	1*CHOOSE
005	8115.4851.1106.25.002	STAFFA DI AGGANCIAMENTO / BRACKET ATTACHMENTS / BRACKETBEFESTIGUNG 25°	1*CHOOSE
005	8115.4851.1106.30.002	STAFFA DI AGGANCIAMENTO / BRACKET ATTACHMENTS / BRACKETBEFESTIGUNG 30°	1*CHOOSE
005	8115.4851.1106.35.002	STAFFA DI AGGANCIAMENTO / BRACKET ATTACHMENTS / BRACKETBEFESTIGUNG 35°	1*CHOOSE
005	8115.4851.1106.40.002	STAFFA DI AGGANCIAMENTO / BRACKET ATTACHMENTS / BRACKETBEFESTIGUNG 40°	1*CHOOSE
005	8115.4851.1106.45.002	STAFFA DI AGGANCIAMENTO / BRACKET ATTACHMENTS / BRACKETBEFESTIGUNG 45°	1*CHOOSE

POS.	CODE	DESCRIPTION	Q.TY
005	8115.4851.1106.50.002	STAFFA DI AGGANCIAMENTO / BRACKET ATTACHMENTS / BRACKETBEFESTIGUNG 50°	1*CHOOSE
006	8117.4851.1106.05.001	GUIDA / GUIDE / FÜHRUNG 5°	1*CHOOSE
006	8117.4851.1106.10.001	GUIDA / GUIDE / FÜHRUNG 10°	1*CHOOSE
006	8117.4851.1106.15.001	GUIDA / GUIDE / FÜHRUNG 15°	1*CHOOSE
006	8117.4851.1106.20.001	GUIDA / GUIDE / FÜHRUNG 20°	1*CHOOSE
006	8117.4851.1106.25.001	GUIDA / GUIDE / FÜHRUNG 25°	1*CHOOSE
006	8117.4851.1106.30.001	GUIDA / GUIDE / FÜHRUNG 30°	1*CHOOSE
006	8117.4851.1106.35.001	GUIDA / GUIDE / FÜHRUNG 35°	1*CHOOSE
006	8117.4851.1106.40.001	GUIDA / GUIDE / FÜHRUNG 40°	1*CHOOSE
006	8117.4851.1106.45.001	GUIDA / GUIDE / FÜHRUNG 45°	1*CHOOSE
006	8117.4851.1106.50.001	GUIDA / GUIDE / FÜHRUNG 50°	1*CHOOSE
007	8116.4851.1106.05.001	INCUDINE / ANVIL / TREIBER 5°	1*CHOOSE
007	8116.4851.1106.10.001	INCUDINE / ANVIL / TREIBER 10°	1*CHOOSE
007	8116.4851.1106.15.001	INCUDINE / ANVIL / TREIBER 15°	1*CHOOSE
007	8116.4851.1106.20.001	INCUDINE / ANVIL / TREIBER 20°	1*CHOOSE
007	8116.4851.1106.25.001	INCUDINE / ANVIL / TREIBER 25°	1*CHOOSE
007	8116.4851.1106.30.001	INCUDINE / ANVIL / TREIBER 30°	1*CHOOSE
007	8116.4851.1106.35.001	INCUDINE / ANVIL / TREIBER 35°	1*CHOOSE
007	8116.4851.1106.40.001	INCUDINE / ANVIL / TREIBER 40°	1*CHOOSE
007	8116.4851.1106.45.001	INCUDINE / ANVIL / TREIBER 45°	1*CHOOSE
007	8116.4851.1106.50.001	INCUDINE / ANVIL / TREIBER 50°	1*CHOOSE
008	9000.0025.0025.001	CILINDRO AD AZOTO / NITROGEN CYLINDER / STICKSTOFFZYLINDER	4
009	9008.0810.040	VITE A COLLETTO / SHOULDER SCREW / ANSATZSCHRAUBE	4
010	9007.06.020.129.1.4762	VITE / SCREW / SCHRAUBE M6X20	4
011	9006.002	INGRASSATORE / NIPPLES / SCHMIERUNG	2
012	9007.06.010.129.1.4762	VITE / SCREW / SCHRAUBE M6X10	4
013	9007.10.050.129.1.4762	VITE / SCREW / SCHRAUBE M10X50	2
014	9003.0001	SENSORE DI SICUREZZA / SECURITY SENSOR / SENSOR FÜR SICHERHEIT	1*OPTION

FORZA INIZIALE DI ESTRAZIONE / INITIAL EXTRACTION FORCE **1280 daN** SFORZO MAX TRANCIO **12000 daN**
 RÜCKZUGSKRAFT / FORCE INITIALE D'EXTRACTION
 FORZA FINALE DI ESTRAZIONE / FINAL FORCE OF EXTRACTION **1925 daN** CUTTING MAX FORCE
 ENDKRAFT DER EXTRAKTION / FORCE FINALE D'EXTRACTION MAXIMALE SCHNITTKRAFT
 EFFORT MAXI DÉCOUPE



α°	PRESS STROKE	A	B	C	D	E
5°	20.1	141.7	71.6	83.45	123.4	35
10°	20.3	143.3	65.6	77	125.5	35
15°	20.7	144.23	56.6	70	135	46
20°	21.3	144.6	53.6	63.85	144.65	54
25°	22.05	144.15	47.1	55.9	154.25	64
30°	23.1	143.75	36.9	48	159	67
35°	24.4	142.9	31.9	41.15	167.75	76
40°	26.1	139.85	24.9	32.6	179.25	86
45°	28.3	138.35	14.6	25	193	96
50°	31.1	134.25	8.6	16.9	207.05	108

* PER INCLINAZIONI FUORI STANDARD RIVOLGERSI ALL'UFFICIO TECNICONESTARK / * FOR NON-STANDARD INCLINATIONS, PLEASE CONTACT NEWSTARK TECHNICAL OFFICE.
 / * FÜR NICHT STANDARDMÄSSIGE NEIGUNGEN WENDEN SIE SICH BITTE AN DAS TECHNISCHE BÜRO VON NEWSTARK

014 (9003) SENSORE / SENSOR / SENSOR



14 PATENT PENDING