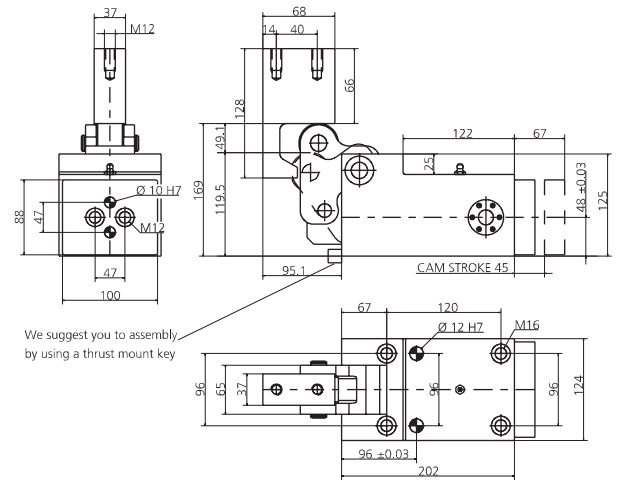
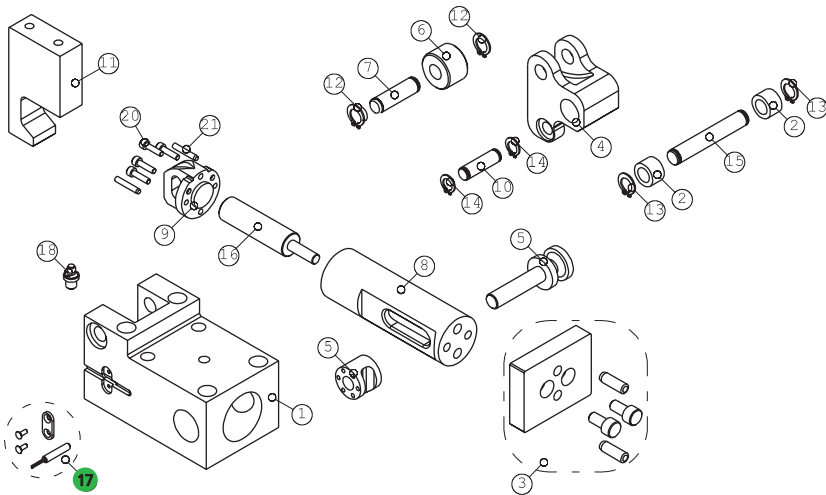


# 0142.0850 - CAM MA850

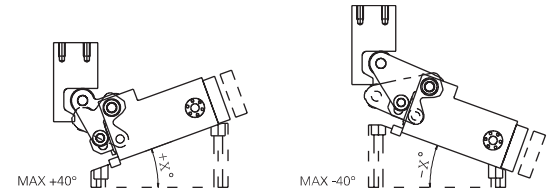
FORZA INIZIALE DI ESTRAZIONE / INITIAL EXTRACTION FORCE **850 daN**  
 RÜCKZUGSKRAFT / FORCE INITIALE D'EXTRACTION  
 FORZA FINALE DI ESTRAZIONE / FINAL FORCE OF EXTRACTION **1360 daN**  
 ENDKRAFT DER EXTRACTION / FORCE FINALE D'EXTRACTION

SFORZO MAX TRANCIO **10000 daN**  
 CUTTING MAX FORCE  
 MAXIMALE SCHNITTKRAFT  
 EFFORT MAXI DÉCOUPE



| POS. | CODE                          | DESCRIPTION  | Q.TY     |
|------|-------------------------------|--|----------|
| 001  | <b>8000.0042.0850</b>         | CORPO CAMMA / CAM BODY / GRUNDGEHÄUSE                                      | 1        |
| 002  | <b>9005.0120.0025.001</b>     | CUSCINETTO / BEARING / LAGER   | 2        |
| 003  | <b>8014.4244.0850</b>         | KIT PORTA PUNZONE / KIT PUNCH HOLDER / KIT TRÄGERPLATTE                    | 1*OPTION |
| 004  | <b>8001.0042.0850.000</b>     | LEVA / LEVER / NOCKE 0   | 1        |
| 004  | <b>8001.0042.0850.610</b>     | LEVA / LEVER / NOCKE +0.01 +10   | 1*OPTION |
| 004  | <b>8001.0042.0850.620</b>     | LEVA / LEVER / NOCKE +10.01 +20  | 1*OPTION |
| 004  | <b>8001.0042.0850.630</b>     | LEVA / LEVER / NOCKE +20.01 +30  | 1*OPTION |
| 004  | <b>8001.0042.0850.640</b>     | LEVA / LEVER / NOCKE +30.01 +40  | 1*OPTION |
| 004  | <b>8001.0042.0850.710</b>     | LEVA / LEVER / NOCKE -0.01 -10   | 1*OPTION |
| 004  | <b>8001.0042.0850.720</b>     | LEVA / LEVER / NOCKE -10.01 -20  | 1*OPTION |
| 004  | <b>8001.0042.0850.730</b>     | LEVA / LEVER / NOCKE -20.01 -30  | 1*OPTION |
| 004  | <b>8001.0042.0850.740</b>     | LEVA / LEVER / NOCKE -30.01 -40  | 1*OPTION |
| 005  | <b>8017.4244.0850</b>         | PERNO DI GUIDA / GUIDE PIN / FÜHRUNGSSTIFTE                                | 1        |
| 006  | <b>8004.0450.0330.220.001</b> | ROTELLA / ROLLER / ROLLE   | 1        |
| 007  | <b>8005.0734.0674.220.001</b> | PERNO / PIN / STIFT  | 1        |
| 008  | <b>8018.1845.1575.700.001</b> | PERNO CENTRALE / CENTRAL PIN / HAUPTSTIFT                                  | 1        |
| 009  | <b>8002.0042.0850</b>         | FLANGIA / FLANGE / FLANSCH   | 1        |
| 010  | <b>8005.0644.0584.220.001</b> | PERNO / PIN / STIFT  | 1        |
| 011  | <b>8003.1280.0680.370.001</b> | INCUDINE / ANVIL / TREIBER   | 1*OPTION |
| 012  | <b>9004.1220.001</b>          | SEEGER / SEEGER / SEEGERRING   | 2        |
| 013  | <b>9004.1250.001</b>          | SEEGER / SEEGER / SEEGERRING   | 2        |
| 014  | <b>9004.1220.001</b>          | SEEGER / SEEGER / SEEGERRING   | 2        |
| 015  | <b>8005.1234.1174.250.001</b> | PERNO / PIN / STIFT  | 1        |
| 016  | <b>9000.0050.0045.001</b>     | CILINDRO AD AZOTO / NITROGEN CYLINDER / STICKSTOFFZYLINDER                 | 1        |
| 017  | <b>8107.0142.0850.001</b>     | KIT SENSORE DI SICUREZZA / SECURITY SENSOR KIT / KIT SENSOR FÜR SICHERHEIT | 1*OPTION |
| 018  | <b>9006.003</b>               | INGRASSATORE / NIPPLE / SCHMIERUNG   | 1        |
| 020  | <b>9007.06.025.129.1.4762</b> | VITE / SCREW / SCHRAUBE M6X25  | 6        |
| 021  | <b>9028.060.025.8735</b>      | SPINA CILINDRICA / DOWEL PIN / ZYLINDERSTIFT D6X25                         | 2        |

004 (8001) LEVA / LEVER / NOCKE



017 (8107) SENSORE / SENSOR / SENSOR



**17** PATENT PENDING

MODELLO D'ORDINE / ORDER EXAMPLE / BESTELLBEISPIEL / MODÈLE DE COMMANDE

MODEL **0142.0850** INCLINATION **+10°** OPTION CODE **8001.0042.0850.610**