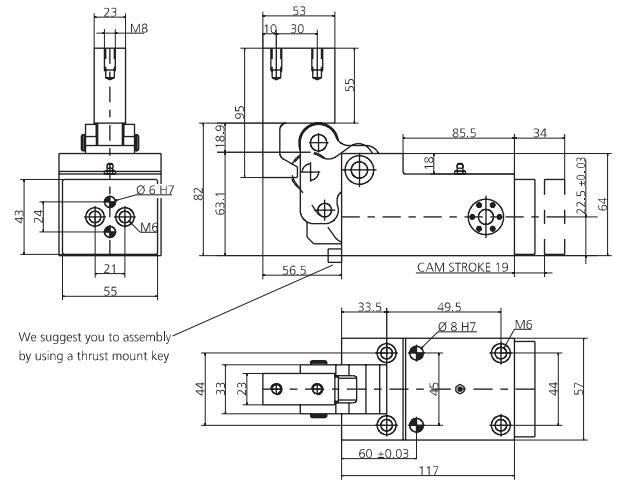
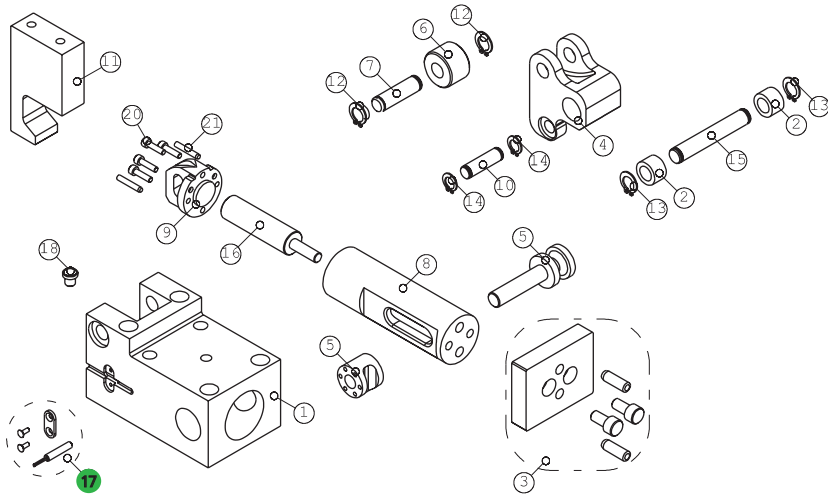


0142.0100 - CAM MA100

FORZA INIZIALE DI ESTRAZIONE / INITIAL EXTRACTION FORCE **100 daN**
 RÜCKZUGSKRAFT / FORCE INITIALE D'EXTRACTION
 FORZA FINALE DI ESTRAZIONE / FINAL FORCE OF EXTRACTION **135 daN**
 ENDKRAFT DER EXTRACTION / FORCE FINALE D'EXTRACTION

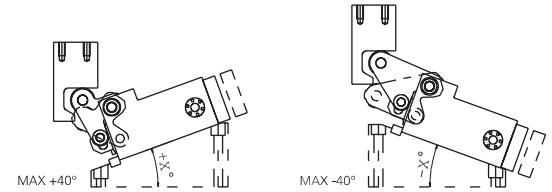
SFORZO MAX TRANCIO **2500 daN**
 CUTTING MAX FORCE
 MAXIMALE SCHNITTKRAFT
 EFFORT MAXI DÉCOUPE



We suggest you to assembly by using a thrust mount key

POS.	CODE	DESCRIPTION	Q.TY
001	8000.0042.0100	CORPO CAMMA / CAM BODY / GRUNDGEHÄUSE	1
002	9005.0112.0010.001	CUSCINETTO / BEARING / LAGER	2
003	8014.4244.0100	KIT PORTA PUNZONE / KIT PUNCH HOLDER / KIT TRÄGERPLATTE	1*OPTION
004	8001.0042.0100.000	LEVA / LEVER / NOCKE 0	1
004	8001.0042.0100.620	LEVA / LEVER / NOCKE +0.01 +20	1*OPTION
004	8001.0042.0100.640	LEVA / LEVER / NOCKE +20.01 +40	1*OPTION
004	8001.0042.0100.720	LEVA / LEVER / NOCKE -0.01 -20	1*OPTION
004	8001.0042.0100.740	LEVA / LEVER / NOCKE -20.01 -40	1*OPTION
005	8017.4244.0100	PERNO DI GUIDA / GUIDE PIN / FÜHRUNGSTIFTE	1
006	8004.0260.0170.100.001	ROTELLA / ROLLER / ROLLE	1
007	8005.0376.0350.100.001	PERNO / PIN / STIFT	1
008	8018.1120.0905.350.001	PERNO CENTRALE / CENTRAL PIN / HAUPTSTIFT	1
009	8002.0042.0100	FLANGIA / FLANGE / FLANSCH	1
010	8005.0326.0300.100.001	PERNO / PIN / STIFT	1
011	8003.0950.0530.230.001	INCLUDINE / ANVIL / TREIBER	1*OPTION
012	9004.1100.001	SEEGER / SEEGER / SEEGERRING	2
013	9004.1100.001	SEEGER / SEEGER / SEEGERRING	2
014	9004.1100.001	SEEGER / SEEGER / SEEGERRING	2
015	8005.0546.0520.100.001	PERNO / PIN / STIFT	1
016	9000.0020.0015.001	CILINDRO AD AZOTO / NITROGEN CYLINDER / STICKSTOFFZYLINDER	1
017	8107.0142.0100.001	KIT SENSORE DI SICUREZZA / SECURITY SENSOR KIT / KIT SENSOR FÜR SICHERHEIT	1*OPTION
018	9006.004	INGRASSATORE / NIPPLES / SCHMIERUNG	1
020	9007.04.010.129.1.4762	VITE / SCREW / SCHRAUBE M4X10	4
021	9028.040.010.8735	SPINA CILINDRICA / DOWEL PIN / ZYLINDERSTIFT D4X10	2

004 (8001) LEVA / LEVER / NOCKE



017 (8107) SENSORE / SENSOR / SENSOR



17 PATENT PENDING

MODELLO D'ORDINE / ORDER EXAMPLE / BESTELLBEISPIEL / MODÈLE DE COMMANDE

MODEL **0142.0100** INCLINAZIONE **+10°** OPTION CODE **8001.0042.0100.620**