

0141.0170 - CAM ML170

FORZA INIZIALE DI ESTRAZIONE / INITIAL EXTRACTION FORCE
RÜCKZUGSKRAFT / FORCE INITIALE D'EXTRACTION

25 daN

SFORZO MAX TRANCIO

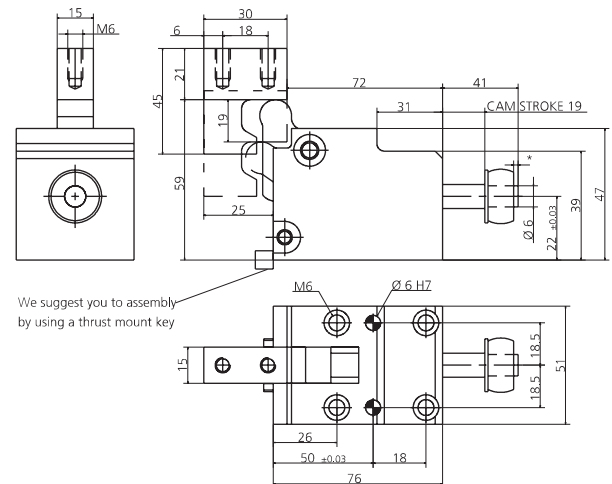
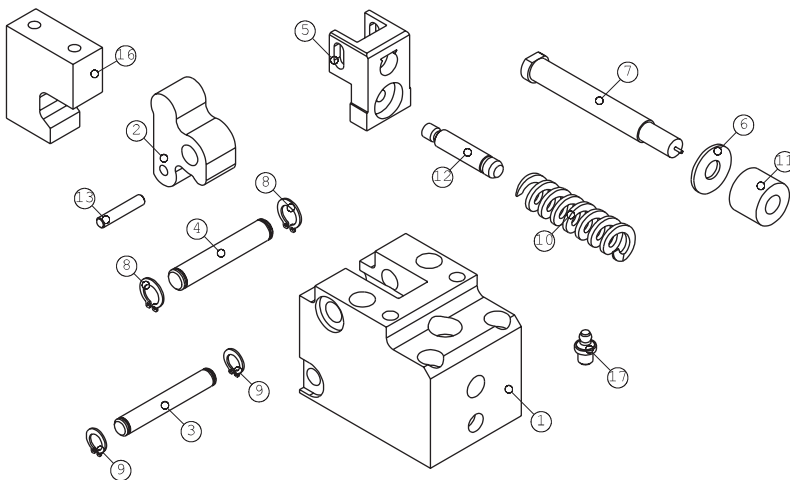
1000 daN

FORZA FINALE DI ESTRAZIONE / FINAL FORCE OF EXTRACTION
ENDKRAFT DER EXTRACTION / FORCE FINALE D'EXTRACTION

170 daN

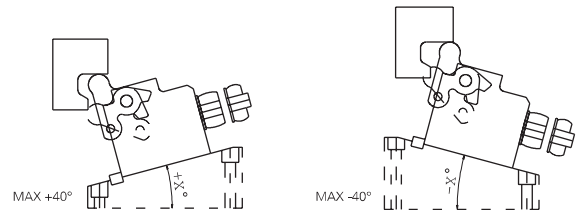
CUTTING MAX FORCE
MAXIMALE SCHNITTKRAFT
EFFORT MAXI DÉCOUPE

* MAX 30% LUNGHEZZA LIBERA

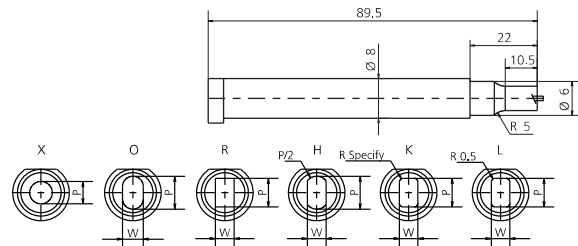


POS.	CODE	DESCRIPTION	Q.TY
001	8000.0041.0170	CORPO CAMMA / CAM BODY / GRUNDGEHÄUSE	1
002	8001.4041.0170.000	LEVA / LEVER / NOCKE 0	1
002	8001.4041.0170.620	LEVA / LEVER / NOCKE +0.01 +20	1*OPTION
002	8001.4041.0170.640	LEVA / LEVER / NOCKE +20.01 +40	1*OPTION
002	8001.4041.0170.720	LEVA / LEVER / NOCKE -0.01 -20	1*OPTION
002	8001.4041.0170.740	LEVA / LEVER / NOCKE -20.01 -40	1*OPTION
003	8005.0510.0474.060.001	PERNO / PIN / STIFT	1
004	8005.0510.0476.080.001	PERNO / PIN / STIFT	1
005	8014.4041.0170	PORTA PUNZONE / GATE PUNCH / STEMPHALTEPLATTE	1
006	8006.0020.0240.062.001	RONDELLA / WASHER / UNTERLEGSCHIBE	1
007	09MJBM2.080.089	MJB_PUNZONE TC CON ESPULSORE / HEADED PUNCH WITH EJECTOR / SCHNEIDSTEMPEL MIT ABSTOSSER 8 89.5	1
007	09MJXM2.080.089	MJX_PUNZONE TC CON ESPULSORE / HEADED PUNCH WITH EJECTOR / SCHNEIDSTEMPEL MIT ABSTOSSER 8 89.5	1*OPTION
007	09MJOM2.080.089	MJO_PUNZONE TC CON ESPULSORE / HEADED PUNCH WITH EJECTOR / SCHNEIDSTEMPEL MIT ABSTOSSER 8 89.5	1*OPTION
007	09MJJM2.080.089	MJJ_PUNZONE TC CON ESPULSORE / HEADED PUNCH WITH EJECTOR / SCHNEIDSTEMPEL MIT ABSTOSSER 8 89.5	1*OPTION
007	09MJHM2.080.089	MJH_PUNZONE TC CON ESPULSORE / HEADED PUNCH WITH EJECTOR / SCHNEIDSTEMPEL MIT ABSTOSSER 8 89.5	1*OPTION
007	09MJKM2.080.089	MJK_PUNZONE TC CON ESPULSORE / HEADED PUNCH WITH EJECTOR / SCHNEIDSTEMPEL MIT ABSTOSSER 8 89.5	1*OPTION
007	09MJNM2.080.089	MJN_PUNZONE TC CON ESPULSORE / HEADED PUNCH WITH EJECTOR / SCHNEIDSTEMPEL MIT ABSTOSSER 8 89.5	1*OPTION
007	09MJLM2.080.089	MJL_PUNZONE TC CON ESPULSORE / HEADED PUNCH WITH EJECTOR / SCHNEIDSTEMPEL MIT ABSTOSSER 8 89.5	1*OPTION
007	09MJRM2.080.089	MJR_PUNZONE TC CON ESPULSORE / HEADED PUNCH WITH EJECTOR / SCHNEIDSTEMPEL MIT ABSTOSSER 8 89.5	1*OPTION
007	09MJVM2.080.089	MJV_PUNZONE TC CON ESPULSORE / HEADED PUNCH WITH EJECTOR / SCHNEIDSTEMPEL MIT ABSTOSSER 8 89.5	1*OPTION
007	09MJYM2.080.089	MJY_PUNZONE TC CON ESPULSORE / HEADED PUNCH WITH EJECTOR / SCHNEIDSTEMPEL MIT ABSTOSSER 8 89.5	1*OPTION
007	09MJZM2.080.089	MJZ_PUNZONE TC CON ESPULSORE / HEADED PUNCH WITH EJECTOR / SCHNEIDSTEMPEL MIT ABSTOSSER 8 89.5	1*OPTION
008	9004.1080.001	SEGER / SEEGER / SEEGERRING	2
009	9004.1060.001	SEGER / SEEGER / SEEGERRING	2
010	9009.2000.0640.120	MOLLA / SPRING / FEDER	1
011	8060.0620.020.E090.001	MOLLA IN GOMMA / RUBBER SPRING / ABSTREIFFEDER	1
012	8005.0465.0350.060.001	PERNO / PIN / STIFT	1
013	8005.0230.0230.040.001	PERNO / PIN / STIFT	1
016	8003.0450.0300.150.001	INCUDINE / ANVIL / TREIBER	1*OPTION
017	9006.001	INGRASSATORE / NIPPLES / SCHMIERUNG	1

002 (8001) LEVA / LEVER / NOCKE



007 (09M) PUNZONE TC / HEADED PUNCH / SCHNEIDSTEMPEL ISO8020



MODELLO D'ORDINE / ORDER EXAMPLE / BESTELLBEISPIEL / MODÈLE DE COMMANDE

MODEL **0141.0170** INCLINATION **+10°** OPTION CODE **8001.4041.0170.620**