

0148.1392 - CAM SMEG1390-32

FORZA INIZIALE DI ESTRAZIONE / INITIAL EXTRACTION FORCE **1390 daN**

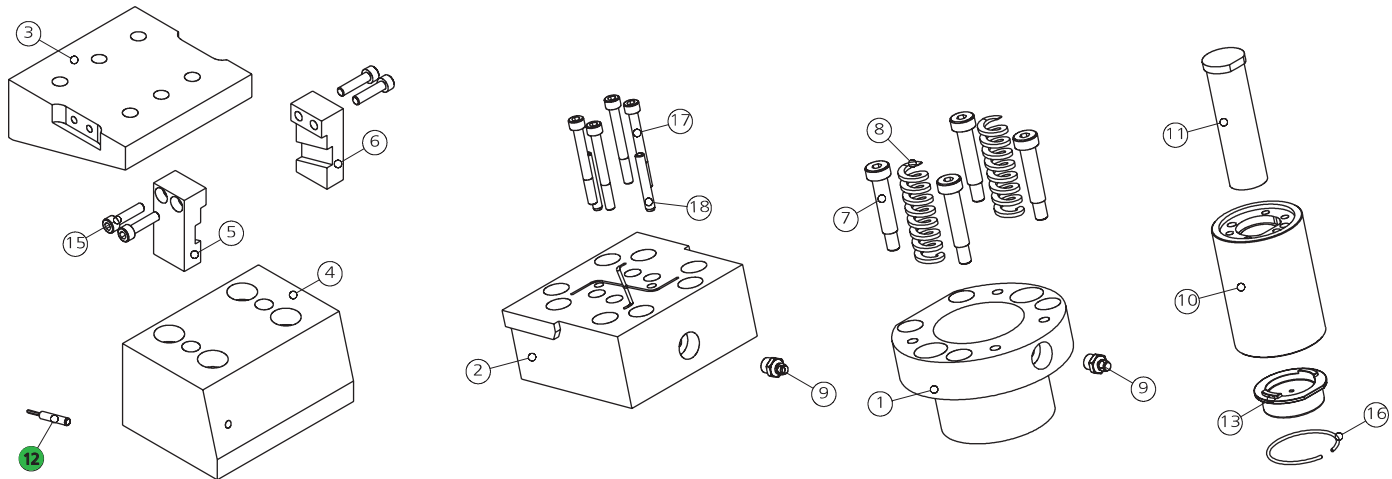
RÜCKZUGSKRAFT / FORCE INITIALE D'EXTRACTION

FORZA FINALE DI ESTRAZIONE / FINAL FORCE OF EXTRACTION **3050 daN**

ENDKRAFT DER EXTRACTION / FORCE FINALE D'EXTRACTION

SFORZO MAX TRANCIO **12000 daN**

CUTTING MAX FORCE
MAXIMALE SCHNITTKRAFT
EFFORT MAXI DÉCOUPE

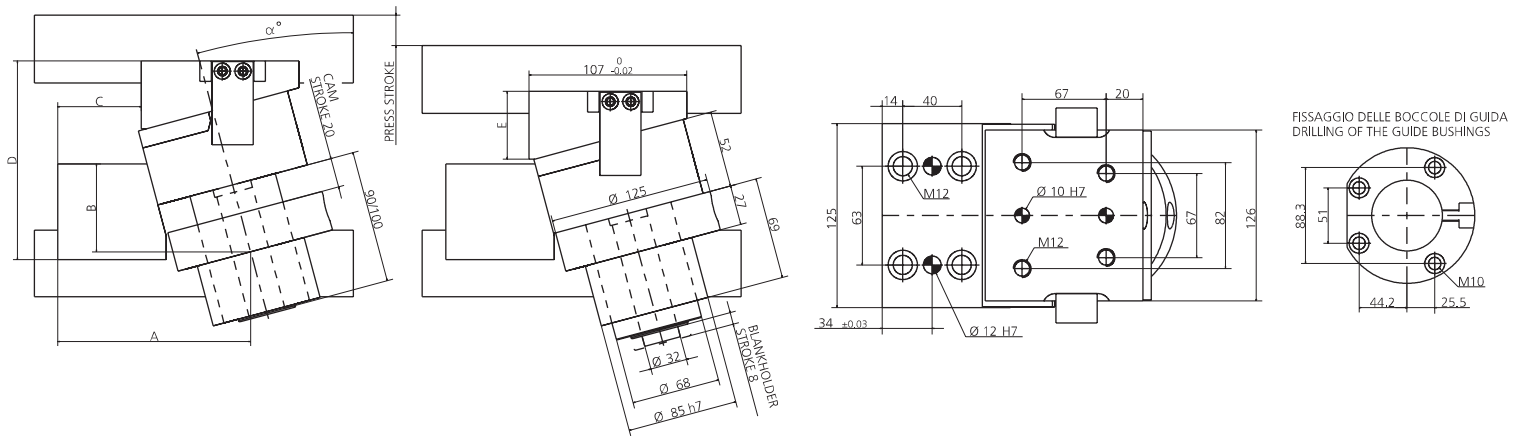


POS.	CODE	DESCRIPTION	Q.TY
001	8013.0690.1250.680.001	BOCCOLA DI GUIDA / GUIDE BUSHINGS / FÜHRUNGSBUCHSE	1
002	8014.0048.1390	PORTA PUNZONE / PUNCHES HOLDER / TRÄGERPLATTE	1
003	8116.4851.1307.05.001	INCUDINE / ANVIL / TREIBER 5°	1*CHOOSE
003	8116.4851.1307.10.001	INCUDINE / ANVIL / TREIBER 10°	1*CHOOSE
003	8116.4851.1307.15.001	INCUDINE / ANVIL / TREIBER 15°	1*CHOOSE
003	8116.4851.1307.20.001	INCUDINE / ANVIL / TREIBER 20°	1*CHOOSE
003	8116.4851.1307.25.001	INCUDINE / ANVIL / TREIBER 25°	1*CHOOSE
003	8116.4851.1307.30.001	INCUDINE / ANVIL / TREIBER 30°	1*CHOOSE
003	8116.4851.1307.35.001	INCUDINE / ANVIL / TREIBER 35°	1*CHOOSE
003	8116.4851.1307.40.001	INCUDINE / ANVIL / TREIBER 40°	1*CHOOSE
003	8116.4851.1307.45.001	INCUDINE / ANVIL / TREIBER 45°	1*CHOOSE
003	8116.4851.1307.50.001	INCUDINE / ANVIL / TREIBER 50°	1*CHOOSE
004	8117.4851.1307.05.001	GUIDA / GUIDE / FÜHRUNG 5°	1*CHOOSE
004	8117.4851.1307.10.001	GUIDA / GUIDE / FÜHRUNG 10°	1*CHOOSE
004	8117.4851.1307.15.001	GUIDA / GUIDE / FÜHRUNG 15°	1*CHOOSE
004	8117.4851.1307.20.001	GUIDA / GUIDE / FÜHRUNG 20°	1*CHOOSE
004	8117.4851.1307.25.001	GUIDA / GUIDE / FÜHRUNG 25°	1*CHOOSE
004	8117.4851.1307.30.001	GUIDA / GUIDE / FÜHRUNG 30°	1*CHOOSE
004	8117.4851.1307.35.001	GUIDA / GUIDE / FÜHRUNG 35°	1*CHOOSE
004	8117.4851.1307.40.001	GUIDA / GUIDE / FÜHRUNG 40°	1*CHOOSE
004	8117.4851.1307.45.001	GUIDA / GUIDE / FÜHRUNG 45°	1*CHOOSE
004	8117.4851.1307.50.001	GUIDA / GUIDE / FÜHRUNG 50°	1*CHOOSE
005	8115.4851.1307.05.001	STAFFA DI AGGANCIAMENTO / BRACKET ATTACHMENTS / BRACKETBEFESTIGUNG 5°	1*CHOOSE
005	8115.4851.1307.10.001	STAFFA DI AGGANCIAMENTO / BRACKET ATTACHMENTS / BRACKETBEFESTIGUNG 10°	1*CHOOSE
005	8115.4851.1307.15.001	STAFFA DI AGGANCIAMENTO / BRACKET ATTACHMENTS / BRACKETBEFESTIGUNG 15°	1*CHOOSE
005	8115.4851.1307.20.001	STAFFA DI AGGANCIAMENTO / BRACKET ATTACHMENTS / BRACKETBEFESTIGUNG 20°	1*CHOOSE
005	8115.4851.1307.25.001	STAFFA DI AGGANCIAMENTO / BRACKET ATTACHMENTS / BRACKETBEFESTIGUNG 25°	1*CHOOSE
005	8115.4851.1307.30.001	STAFFA DI AGGANCIAMENTO / BRACKET ATTACHMENTS / BRACKETBEFESTIGUNG 30°	1*CHOOSE
005	8115.4851.1307.35.001	STAFFA DI AGGANCIAMENTO / BRACKET ATTACHMENTS / BRACKETBEFESTIGUNG 35°	1*CHOOSE
005	8115.4851.1307.40.001	STAFFA DI AGGANCIAMENTO / BRACKET ATTACHMENTS / BRACKETBEFESTIGUNG 40°	1*CHOOSE
005	8115.4851.1307.45.001	STAFFA DI AGGANCIAMENTO / BRACKET ATTACHMENTS / BRACKETBEFESTIGUNG 45°	1*CHOOSE
005	8115.4851.1307.50.001	STAFFA DI AGGANCIAMENTO / BRACKET ATTACHMENTS / BRACKETBEFESTIGUNG 50°	1*CHOOSE
006	8115.4851.1307.05.002	STAFFA DI AGGANCIAMENTO / BRACKET ATTACHMENTS / BRACKETBEFESTIGUNG 5°	1*CHOOSE
006	8115.4851.1307.10.002	STAFFA DI AGGANCIAMENTO / BRACKET ATTACHMENTS / BRACKETBEFESTIGUNG 10°	1*CHOOSE
006	8115.4851.1307.15.002	STAFFA DI AGGANCIAMENTO / BRACKET ATTACHMENTS / BRACKETBEFESTIGUNG 15°	1*CHOOSE

POS.	CODE	DESCRIPTION	Q.TY
006	8115.4851.1307.20.002	STAFFA DI AGGANCIAMENTO / BRACKET ATTACHMENTS / BRACKETBEFESTIGUNG 20°	1*CHOOSE
006	8115.4851.1307.25.002	STAFFA DI AGGANCIAMENTO / BRACKET ATTACHMENTS / BRACKETBEFESTIGUNG 25°	1*CHOOSE
006	8115.4851.1307.30.002	STAFFA DI AGGANCIAMENTO / BRACKET ATTACHMENTS / BRACKETBEFESTIGUNG 30°	1*CHOOSE
006	8115.4851.1307.35.002	STAFFA DI AGGANCIAMENTO / BRACKET ATTACHMENTS / BRACKETBEFESTIGUNG 35°	1*CHOOSE
006	8115.4851.1307.40.002	STAFFA DI AGGANCIAMENTO / BRACKET ATTACHMENTS / BRACKETBEFESTIGUNG 40°	1*CHOOSE
006	8115.4851.1307.45.002	STAFFA DI AGGANCIAMENTO / BRACKET ATTACHMENTS / BRACKETBEFESTIGUNG 45°	1*CHOOSE
006	8115.4851.1307.50.002	STAFFA DI AGGANCIAMENTO / BRACKET ATTACHMENTS / BRACKETBEFESTIGUNG 50°	1*CHOOSE
007	9008.1012.040	VITE A COLLETTA / SHOULDER SCREW / ANSATZSCHRAUBE	4
008	9009.3000.0890.200	MOLLA / SPRING / FEDER	2
009	9006.002	INGRASSATORE / NIPPLES / SCHMIERUNG	2
010	9030.032.001	CILINDRO SPECIALE / SPECIAL CYLINDER / SPEZIALZYLINDER	1
011	9090.3JBM2.320.090	PUNZONE SBOZZATO TC CON ESPULSORE / BLANK-HEADED PUNCH WITH EJECTOR / ROHLING SCHNEIDSTEMPEL MIT ABSTOSSER 10 90	1*OPTION
011	9090.3JBM2.320.100	PUNZONE SBOZZATO TC CON ESPULSORE / BLANK-HEADED PUNCH WITH EJECTOR / ROHLING SCHNEIDSTEMPEL MIT ABSTOSSER 10 100	1*OPTION
011	093J_M2.320.090	PUNZONE TC CON ESPULSORE / HEADED PUNCH WITH EJECTOR / SCHNEIDSTEMPEL MIT ABSTOSSER 10 90	1*OPTION
011	093J_M2.320.100	PUNZONE TC CON ESPULSORE / HEADED PUNCH WITH EJECTOR / SCHNEIDSTEMPEL MIT ABSTOSSER 10 100	1*OPTION
012	9003.0001	SENSORE DI SICUREZZA / SECURITY SENSOR / SENSOR FÜR SICHERHEIT	1*OPTION
013	9016.090.032.001	PREMILAMIERA CORTO / SHORT BLANKHOLDER / KURZ BLECHHALTER 90MM	1*CHOOSE
013	9016.090.032.002	PREMILAMIERA LUNGO / LONG BLANKHOLDER / LANG BLECHHALTER 90MM	1*CHOOSE
013	9016.100.032.001	PREMILAMIERA CORTO / SHORT BLANKHOLDER / KURZ BLECHHALTER 100MM	1*CHOOSE
013	9016.100.032.002	PREMILAMIERA LUNGO / LONG BLANKHOLDER / LANG BLECHHALTER 100MM	1*CHOOSE
013	8016.090.032.001	PREMILAMIERA CORTO / SHORT BLANKHOLDER / KURZ BLECHHALTER 90MM	1*OPTION
013	8016.090.032.002	PREMILAMIERA LUNGO / LONG BLANKHOLDER / LANG BLECHHALTER 90MM	1*OPTION
013	8016.100.032.001	PREMILAMIERA CORTO / SHORT BLANKHOLDER / KURZ BLECHHALTER 100MM	1*OPTION
013	8016.100.032.002	PREMILAMIERA LUNGO / LONG BLANKHOLDER / LANG BLECHHALTER 100MM	1*OPTION
015	9007.06.020.129.1.4762	VITE / SCREW / SCHRAUBE M6X20	4
016	9004.2570.001	SEEGER / SEEGER / SEEGERRING	1
017	9007.06.055.129.1.4762	VITE / SCREW / SCHRAUBE M6X55	4
018	9028.06.020.8735	SPINA CILINDRICA / DOWEL PIN / ZYLINDERSTIFT D6X20	2

FORZA INIZIALE DI ESTRAZIONE / INITIAL EXTRACTION FORCE **1390 daN**
 RÜCKZUGSKRAFT / FORCE INITIALE D'EXTRACTION
 FORZA FINALE DI ESTRAZIONE / FINAL FORCE OF EXTRACTION **3050 daN**
 ENDKRAFT DER EXTRAKTION / FORCE FINALE D'EXTRACTION

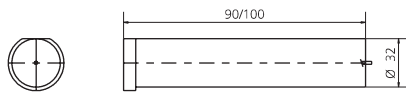
SFORZO MAX TRANCIO **12000 daN**
 CUTTING MAX FORCE
 MAXIMALE SCHNITTKRAFT
 EFFORT MAXI DÉCOUPE



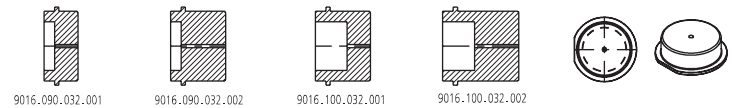
α°	PRESS STROKE	A	B	C	D	E
5°	20.1	144	69.4	87.65	127.8	37
10°	20.3	145.6	64.4	81.25	127.5	37
15°	20.7	146.5	58.4	73.15	135.95	46
20°	21.3	146.5	51.4	66.6	146.65	54
25°	22.05	145.65	44.4	58.25	156.8	64
30°	23.1	145.55	35.7	50.65	160.25	67
35°	24.4	144.6	30.7	43.7	169.1	77
40°	26.1	140.65	22.7	33.75	181.3	87
45°	28.3	143.65	15.4	31.15	191.25	96
50°	31.1	136.65	6.4	19.15	207.25	108

* PER INCLINAZIONI FUORI STANDARD RIVOLGERSI ALL'UFFICIO TECNICONESTARK / * FOR NON-STANDARD INCLINATIONS, PLEASE CONTACT NEWSTARK TECHNICAL OFFICE.
 / * FÜR NICHT STANDARDMÄSSIGE NEIGUNGEN WENDEN SIE SICH BITTE AN DAS TECHNISCHE BÜRO VON NEWSTARK

0011 (9090) PUNZONE SBOZZATO / BLANK PUNCH / ROHLING SCHNEIDSTEMPEL ISO8020



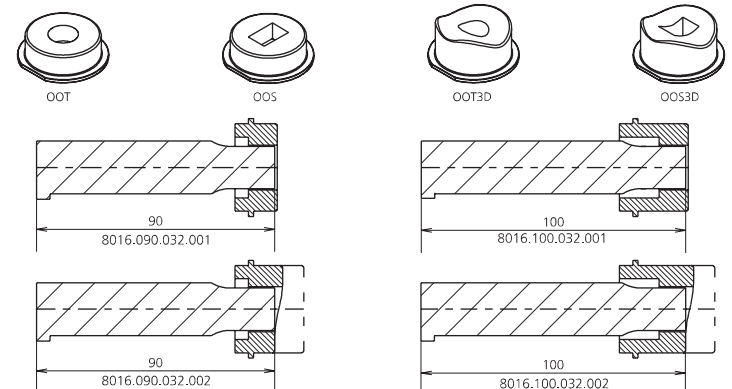
013 (9016) PREMILAMIERA SBOZZATO / BLANK-BLANKHOLDER / ROHLING BLECHHALTER



011 (093J_) PUNZONE SAGOMATO / SHAPED PUNCH / GEFORMT SCHNEIDSTEMPEL ISO8020



013 (8016) PREMILAMIERA SAGOMATO / SHAPED BLANKHOLDER / GEFORMT BLECHHALTER



012 (9003) SENSORE / SENSOR / SENSOR



12 PATENT PENDING

MODELLO D'ORDINE / ORDER EXAMPLE / BESTELLBEISPIEL / MODÈLE DE COMMANDE

MODEL **0148.1392** INCLINATION **+10°** BLANKHOLDER **9016/8016.** OPTION CODE **9003.0001**