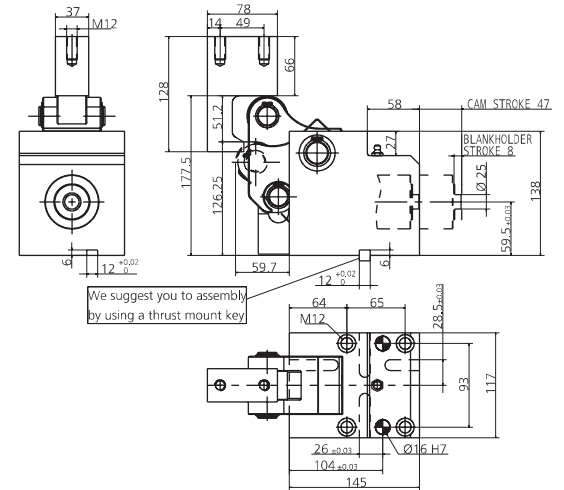
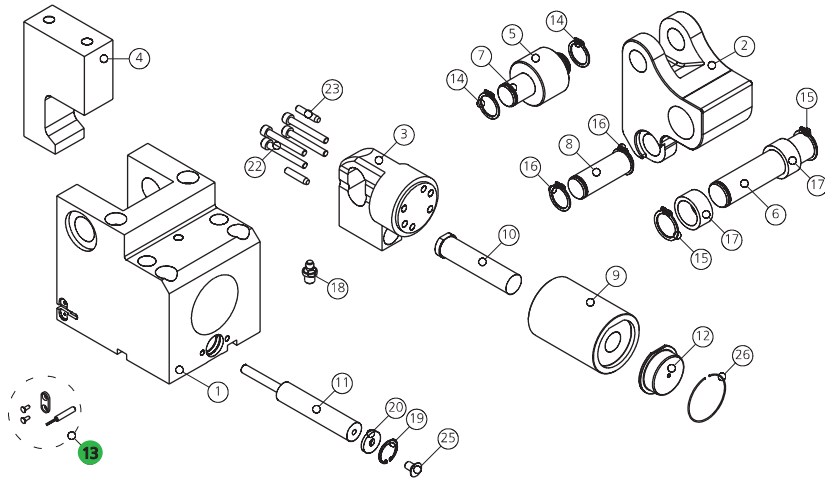
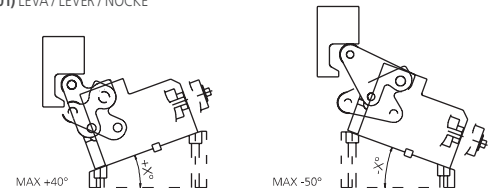


FORZA INIZIALE DI ESTRAZIONE / INITIAL EXTRACTION FORCE **1160 daN** SFORZO MAX TRANCIO **9000 daN**  
 RÜCKZUGSKRAFT / FORCE INITIALE D'EXTRACTION  
 FORZA FINALE DI ESTRAZIONE / FINAL FORCE OF EXTRACTION **2550 daN** CUTTING MAX FORCE  
 ENDKRAFT DER EXTRACTION / FORCE FINALE D'EXTRACTION MAXIMALE SCHNITTKRAFT  
 EFFORT MAXI DÉCOUPE

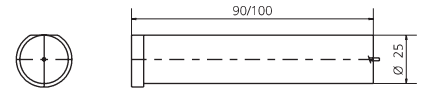


POS.	CODE	DESCRIPTION	Q.TY
001	<b>8000.0043.1160</b>	CORPO CAMMA / CAM BODY / GRUNDGEHÄUSE	1
002	<b>8001.0043.1160.000</b>	LEVA / LEVER / NOCKE 0	1
002	<b>8001.0043.1160.610</b>	LEVA / LEVER / NOCKE +0.01 +10	1*OPTION
002	<b>8001.0043.1160.620</b>	LEVA / LEVER / NOCKE +10.01 +20	1*OPTION
002	<b>8001.0043.1160.630</b>	LEVA / LEVER / NOCKE +20.01 +30	1*OPTION
002	<b>8001.0043.1160.640</b>	LEVA / LEVER / NOCKE +30.01 +40	1*OPTION
002	<b>8001.0043.1160.710</b>	LEVA / LEVER / NOCKE -0.01 -10	1*OPTION
002	<b>8001.0043.1160.720</b>	LEVA / LEVER / NOCKE -10.01 -20	1*OPTION
002	<b>8001.0043.1160.730</b>	LEVA / LEVER / NOCKE -20.01 -30	1*OPTION
002	<b>8001.0043.1160.740</b>	LEVA / LEVER / NOCKE -30.01 -40	1*OPTION
002	<b>8001.0043.1160.750</b>	LEVA / LEVER / NOCKE -40.01 -50	1*OPTION
003	<b>8002.0043.1160</b>	FLANGIA / FLANGE / FLANSCH	1
004	<b>8003.1280.0780.370.001</b>	INCUDINE / ANVIL / DRUCKSTÜCK	1*OPTION
005	<b>8004.0450.0330.220.001</b>	ROTELLA / ROLLER / ROLLE	1
006	<b>8005.1164.1078.250.001</b>	PERNO / PIN / STIFT	1
007	<b>8005.0734.0648.220.001</b>	PERNO / PIN / STIFT	1
008	<b>8005.0644.0558.220.001</b>	PERNO / PIN / STIFT	1
009	<b>9030.025.001</b>	CILINDRO SPECIALE / SPECIAL CYLINDER / SPEZIALZYLINDER	1
010	<b>9090.3JBM2.250.090</b>	PUNZONE TC CON ESPULSORE / HEADED PUNCH WITH EJECTOR / SCHNEIDSTEMPEL MIT ABSTOSSER 25 90	1*OPTION
010	<b>9090.3JBM2.250.100</b>	PUNZONE TC CON ESPULSORE / HEADED PUNCH WITH EJECTOR / SCHNEIDSTEMPEL MIT ABSTOSSER 25 100	1*OPTION
010	<b>093J_M2.250.090</b>	PUNZONE TC CON ESPULSORE / HEADED PUNCH WITH EJECTOR / SCHNEIDSTEMPEL MIT ABSTOSSER 25 90	1*OPTION
010	<b>093J_M2.250.100</b>	PUNZONE TC CON ESPULSORE / HEADED PUNCH WITH EJECTOR / SCHNEIDSTEMPEL MIT ABSTOSSER 25 100	1*OPTION
011	<b>9000.0050.0019.001</b>	CILINDRO DI RITORNO / RETURN CYLINDER / RÜCK ZYLINDER	1
012	<b>9016.090.205.001</b>	PREMILAMIERA CORTO / SHORT BLANKHOLDER / KURZ BLECHHALTER 90MM	1*CHOOSE
012	<b>9016.090.205.002</b>	PREMILAMIERA LUNGO / LONG BLANKHOLDER / LANG BLECHHALTER 90MM	1*CHOOSE
012	<b>9016.100.205.001</b>	PREMILAMIERA CORTO / SHORT BLANKHOLDER / KURZ BLECHHALTER 100MM	1*CHOOSE
012	<b>9016.100.205.002</b>	PREMILAMIERA LUNGO / LONG BLANKHOLDER / LANG BLECHHALTER 100MM	1*CHOOSE
012	<b>8016.090.205.001</b>	PREMILAMIERA CORTO / SHORT BLANKHOLDER / KURZ BLECHHALTER 90MM	1*OPTION
012	<b>8016.090.205.002</b>	PREMILAMIERA LUNGO / LONG BLANKHOLDER / LANG BLECHHALTER 90MM	1*OPTION
012	<b>8016.100.205.001</b>	PREMILAMIERA CORTO / SHORT BLANKHOLDER / KURZ BLECHHALTER 100MM	1*OPTION
012	<b>8016.100.205.002</b>	PREMILAMIERA LUNGO / LONG BLANKHOLDER / LANG BLECHHALTER 100MM	1*OPTION
013	<b>8107.0143.1165.001</b>	KIT SENSORE DI SICUREZZA / SECURITY SENSOR KIT / KIT SENSOR FÜR SICHERHEIT	1*OPTION
014	<b>9004.1220.001</b>	SEEGER / SEEGER / SEEGERRING	2
015	<b>9004.1250.001</b>	SEEGER / SEEGER / SEEGERRING	2
016	<b>9004.1220.001</b>	SEEGER / SEEGER / SEEGERRING	2
017	<b>9005.0120.0025.001</b>	CUSCINETTO / BEARING / LAGER	2
018	<b>9006.003</b>	INGRASSATORE / NIPPLE / SCHMIERUNG	1
019	<b>9004.2220.001</b>	SEEGER / SEEGER / SEEGERRING	1
020	<b>8006.0130.0218.065.001</b>	RONDELLA / WASHER / UNTERLEGSCHIBE	1
022	<b>9007.06.035.129.1.4762</b>	VITE / SCREW / SCHRAUBE M6X35	4
023	<b>9028.060.020.8735</b>	SPINA CILINDRICA / DOWEL PIN / ZYLINDERSTIFT D6X20	2
025	<b>9007.06.014.129.1.5933</b>	VITE / SCREW / SCHRAUBE M6X14	1
026	<b>9004.2480.001</b>	SEEGER / SEEGER / SEEGERRING	1

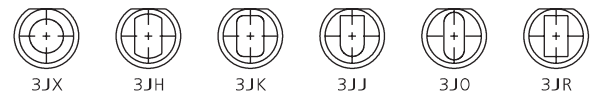
002 (8001) LEVA / LEVER / NOCKE



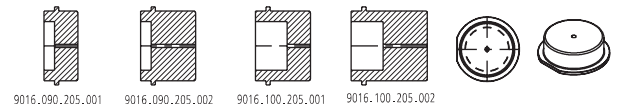
010 (9090) PUNZONE SBOZZATO / BLANK PUNCH / ROHLING SCHNEIDSTEMPEL ISO8020



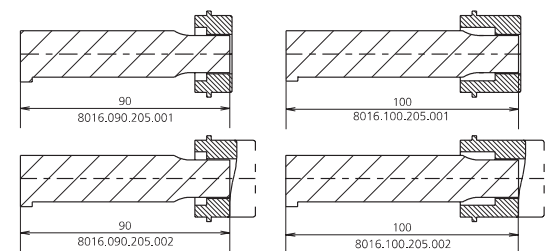
010 (093J\_) PUNZONE SAGOMATO / SHAPED PUNCH / GEFORMT SCHNEIDSTEMPEL ISO8020



012 (9016) PREMILAMIERA SBOZZATO / BLANK-BLANKHOLDER / ROHLING BLECHHALTER



012 (8016) PREMILAMIERA SAGOMATO / SHAPED BLANKHOLDER / GEFORMT BLECHHALTER



013 (8107) SENSORE / SENSOR / SENSOR



**15 PATENT PENDING**

MODELLO D'ORDINE / ORDER EXAMPLE / BESTELLBEISPIEL / MODÈLE DE COMMANDE

MODEL **0143.1165** INCLINATION **+10°** BLANKHOLDER **9016/8016.** OPTION CODE **8001.0043.1160.610**