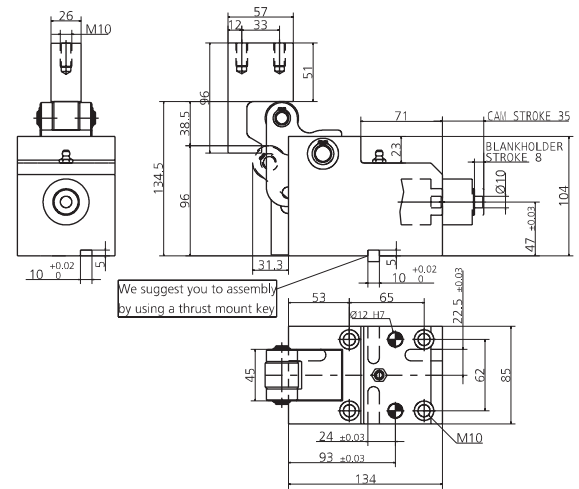
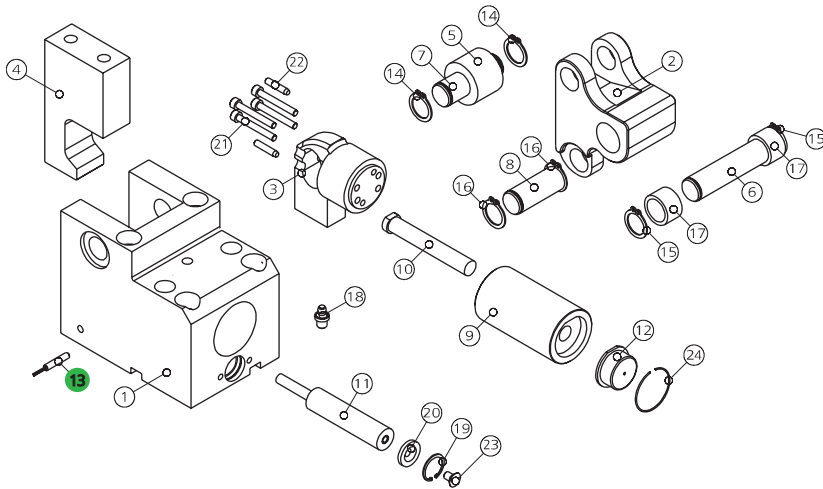


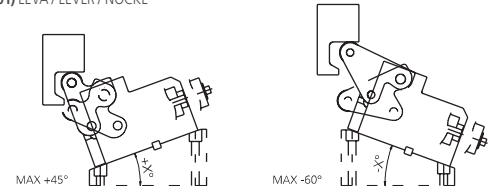
FORZA INIZIALE DI ESTRAZIONE / INITIAL EXTRACTION FORCE **505 daN**  
 RÜCKZUGSKRAFT / FORCE INITIALE D'EXTRACTION  
 FORZA FINALE DI ESTRAZIONE / FINAL FORCE OF EXTRACTION **1110 daN**  
 ENDKRAFT DER EXTRACTION / FORCE FINALE D'EXTRACTION

SFORZO MAX TRANCIO **4500 daN**  
 CUTTING MAX FORCE  
 MAXIMALE SCHNITTKRAFT  
 EFFORT MAXI DÉCOUPE

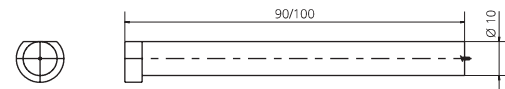


POS.	CODE	DESCRIPTION	Q.TY
001	<b>8000.0043.0505</b>	CORPO CAMMA / CAM BODY / GRUNDGEHÄUSE	1
002	<b>8001.0043.0505.000</b>	LEVA / LEVER / NOCKE 0	1
002	<b>8001.0043.0505.615</b>	LEVA / LEVER / NOCKE +1 +15	1*OPTION
002	<b>8001.0043.0505.630</b>	LEVA / LEVER / NOCKE +15,01 +30	1*OPTION
002	<b>8001.0043.0505.645</b>	LEVA / LEVER / NOCKE +30,01 +45	1*OPTION
002	<b>8001.0043.0505.715</b>	LEVA / LEVER / NOCKE -1 -15	1*OPTION
002	<b>8001.0043.0505.730</b>	LEVA / LEVER / NOCKE -15,01 -30	1*OPTION
002	<b>8001.0043.0505.740</b>	LEVA / LEVER / NOCKE -30,01 -40	1*OPTION
002	<b>8001.0043.0505.760</b>	LEVA / LEVER / NOCKE -40,01 -60	1*OPTION
003	<b>8002.0043.0505</b>	FLANGIA / FLANGE / FLANSCH	1
004	<b>8003.0960.0570.260.001</b>	INCUDINE / ANVIL / DRUCKSTÜCK	1*OPTION
005	<b>8004.0290.0240.120.001</b>	ROTELLA / ROLLER / ROLLE	1
006	<b>8005.0850.0778.150.001</b>	PERNO / PIN / STIFT	1
007	<b>8005.0510.0448.120.001</b>	PERNO / PIN / STIFT	1
008	<b>8005.0446.0384.120.001</b>	PERNO / PIN / STIFT	1
009	<b>9030.010.001</b>	CILINDRO SPECIALE / SPECIAL CYLINDER / SPEZIALZYLINDER	1
010	<b>9090.3JBM2.100.090</b>	PUNZONE TC CON ESPULSORE / HEADED PUNCH WITH EJECTOR / SCHNEIDSTEMPEL MIT ABSTOSSER 10 90	1*OPTION
010	<b>9090.3JBM2.100.100</b>	PUNZONE TC CON ESPULSORE / HEADED PUNCH WITH EJECTOR / SCHNEIDSTEMPEL MIT ABSTOSSER 10 100	1*OPTION
010	<b>093J_M2.100.090</b>	PUNZONE TC CON ESPULSORE / HEADED PUNCH WITH EJECTOR / SCHNEIDSTEMPEL MIT ABSTOSSER 10 90	1*OPTION
010	<b>093J_M2.100.100</b>	PUNZONE TC CON ESPULSORE / HEADED PUNCH WITH EJECTOR / SCHNEIDSTEMPEL MIT ABSTOSSER 10 100	1*OPTION
011	<b>9000.0038.0019.001</b>	CILINDRO DI RITORNO / RETURN CYLINDER / RÜCK ZYLINDER	1
012	<b>9016.090.010.001</b>	PREMILAMIERA CORTO / SHORT BLANKHOLDER / KURZ BLECHHALTER 90MM	1*CHOOSE
012	<b>9016.090.010.002</b>	PREMILAMIERA LUNGO / LONG BLANKHOLDER / LANG BLECHHALTER 90MM	1*CHOOSE
012	<b>9016.100.010.001</b>	PREMILAMIERA CORTO / SHORT BLANKHOLDER / KURZ BLECHHALTER 100MM	1*CHOOSE
012	<b>9016.100.010.002</b>	PREMILAMIERA LUNGO / LONG BLANKHOLDER / LANG BLECHHALTER 100MM	1*CHOOSE
012	<b>8016.090.010.001</b>	PREMILAMIERA CORTO / SHORT BLANKHOLDER / KURZ BLECHHALTER 90MM	1*OPTION
012	<b>8016.090.010.002</b>	PREMILAMIERA LUNGO / LONG BLANKHOLDER / LANG BLECHHALTER 90MM	1*OPTION
012	<b>8016.100.010.001</b>	PREMILAMIERA CORTO / SHORT BLANKHOLDER / KURZ BLECHHALTER 100MM	1*OPTION
012	<b>8016.100.010.002</b>	PREMILAMIERA LUNGO / LONG BLANKHOLDER / LANG BLECHHALTER 100MM	1*OPTION
013	<b>9003.0001</b>	SENSORE DI SICUREZZA / SECURITY SENSOR / SENSOR FÜR SICHERHEIT	1*OPTION
014	<b>9004.1120.001</b>	SEEGER / SEEGER / SEEGERRING	2
015	<b>9004.1150.001</b>	SEEGER / SEEGER / SEEGERRING	2
016	<b>9004.1120.001</b>	SEEGER / SEEGER / SEEGERRING	2
017	<b>9005.0112.0015.001</b>	CUSCINETTO / BEARING / LAGER	2
018	<b>9006.002</b>	INGRASSATORE / NIPPLE / SCHMIERUNG	1
019	<b>9004.2220.001</b>	SEEGER / SEEGER / SEEGERRING	1
020	<b>8006.0130.0218.065.001</b>	RONDELLA / WASHER / UNTERLEGSCHIBE	1
021	<b>9007.04.030.129.1.4762</b>	VITE / SCREW / SCHRAUBE M4X30	4
022	<b>9028.040.010.8735</b>	SPINA CILINDRICA / DWEL PIN / ZYLINDERSTIFT D4X10	2
023	<b>9007.06.014.129.1.5933</b>	VITE / SCREW / SCHRAUBE M6X14	1
024	<b>9004.2290.001</b>	SEEGER / SEEGER / SEEGERRING	1

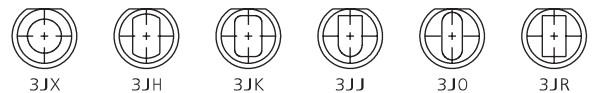
002 (8001) LEVA / LEVER / NOCKE



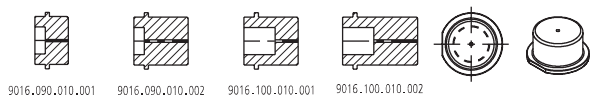
010 (9090) PUNZONE SBOZZATO / BLANK PUNCH / ROHLING SCHNEIDSTEMPEL ISO8020



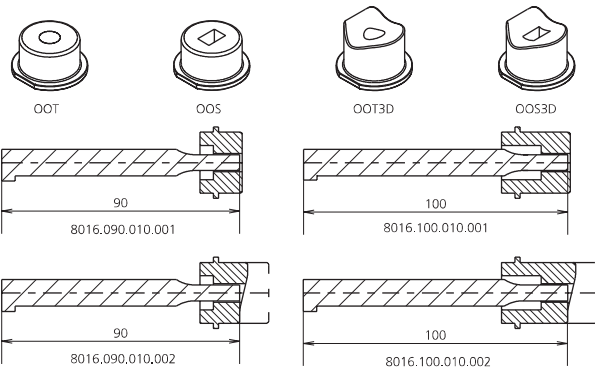
010 (093J\_) PUNZONE SAGOMATO / SHAPED PUNCH / GEFORMT SCHNEIDSTEMPEL ISO8020



012 (9016) PREMILAMIERA SBOZZATO / BLANK-BLANKHOLDER / ROHLING BLECHHALTER



012 (8016) PREMILAMIERA SAGOMATO / SHAPED BLANKHOLDER / GEFORMT BLECHHALTER



013 (9003) SENSORE / SENSOR / SENSOR



**15 PATENT PENDING**

MODELLO D'ORDINE / ORDER EXAMPLE / BESTELLBEISPIEL / MODÈLE DE COMMANDE

MODEL **0143.5050** INCLINATION **+10°** BLANKHOLDER **9016/8016.** OPTION CODE **8001.0043.0505.615**