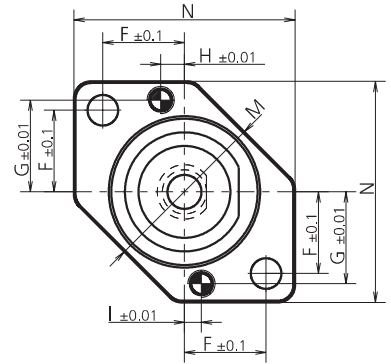
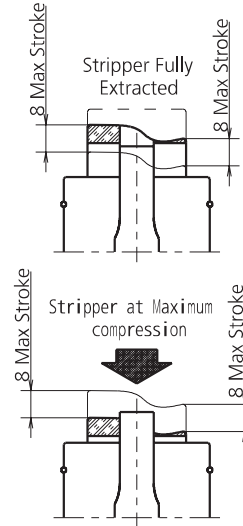
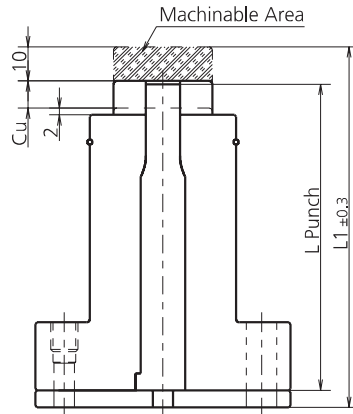
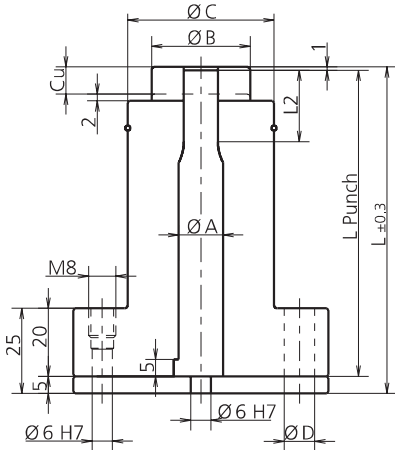




1501 - UNITÀ DI PUNZONATURA AD AZOTO

NITROGEN PUNCHING UNIT / STICKSTOFF-STANZEINHEIT / UNITÉ DE POINÇONNAGE À L'AZOTE



MODEL	Ø A	Ø B	Ø C	Ø D	F	G	H	I	M	N	L PUNCH	L	L1	L2	STROKE	INITIAL EXTRACTION FORCE (DaN)
1501.1001	10	23	35	9	19	22	7	5	42	55	90/100	96/106	25	106/116	8	125
1501.1002	10	23	35	9	19	22	7	5	42	55	90/100	96/106	25	106/116	8	255
1501.1003	10	23	35	9	19	22	7	5	42	55	90/100	96/106	25	106/116	8	380
1501.1004	10	23	35	9	19	22	7	5	42	55	90/100	96/106	25	106/116	8	505
1501.1301	13	29	43	9	24	27	7	5	50	65	90/100	96/106	25	106/116	8	175
1501.1302	13	29	43	9	24	27	7	5	50	65	90/100	96/106	25	106/116	8	350
1501.1303	13	29	43	9	24	27	7	5	50	65	90/100	96/106	25	106/116	8	520
1501.1304	13	29	43	9	24	27	7	5	50	65	90/100	96/106	25	106/116	8	695
1501.1601	16	29	43	9	24	27	7	5	50	65	90/100	96/106	25	106/116	8	175
1501.1602	16	29	43	9	24	27	7	5	50	65	90/100	96/106	25	106/116	8	350
1501.1603	16	29	43	9	24	27	7	5	50	65	90/100	96/106	25	106/116	8	520
1501.1604	16	29	43	9	24	27	7	5	50	65	90/100	96/106	25	106/116	8	695
1501.2001	20	40	58	11	28	32,5	13	11	64	78	90/100	96/106	25	106/116	8	290
1501.2002	20	40	58	11	28	32,5	13	11	64	78	90/100	96/106	25	106/116	8	580
1501.2003	20	40	58	11	28	32,5	13	11	64	78	90/100	96/106	25	106/116	8	870
1501.2004	20	40	58	11	28	32,5	13	11	64	78	90/100	96/106	25	106/116	8	1160
1501.2501	25	40	58	11	28	32,5	13	11	64	78	90/100	96/106	25	106/116	8	290
1501.2502	25	40	58	11	28	32,5	13	11	64	78	90/100	96/106	25	106/116	8	580
1501.2503	25	40	58	11	28	32,5	13	11	64	78	90/100	96/106	25	106/116	8	870
1501.2504	25	40	58	11	28	32,5	13	11	64	78	90/100	96/106	25	106/116	8	1160
1501.3201	32	48	67	13	31	37	14	12	74	85	90/100	96/106	25	106/116	8	345
1501.3202	32	48	67	13	31	37	14	12	74	85	90/100	96/106	25	106/116	8	695
1501.3203	32	48	67	13	31	37	14	12	74	85	90/100	96/106	25	106/116	8	1040
1501.3204	32	48	67	13	31	37	14	12	74	85	90/100	96/106	25	106/116	8	1390
1501.4001	40	60	81	13	36	42,5	21	19	90	96	90/100	96/106	25	106/116	8	470
1501.4002	40	60	81	13	36	42,5	21	19	90	96	90/100	96/106	25	106/116	8	940
1501.4003	40	60	81	13	36	42,5	21	19	90	96	90/100	96/106	25	106/116	8	1410
1501.4004	40	60	81	13	36	42,5	21	19	90	96	90/100	96/106	25	106/116	8	1880

CODE	DESCRIPTION	Q.TY
9016/8016....	PREMILAMIERA / BLANKHOLDER / BLECHHALTER	1*CHOOSE REF. PAG. 165

MODELLO D'ORDINE / ORDER EXAMPLE / BESTELLBEISPIEL / MODÈLE DE COMMANDE

MODEL **1501.4004** OPTION CODE **9016/8016._._**

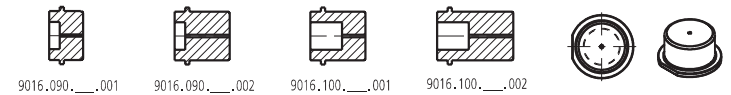
9016/8016 - PREMILAMIERA CILINDRICA

BLANKHOLDER / BLECHHALTER / SERRE-FLAN CYLINDRIQUE

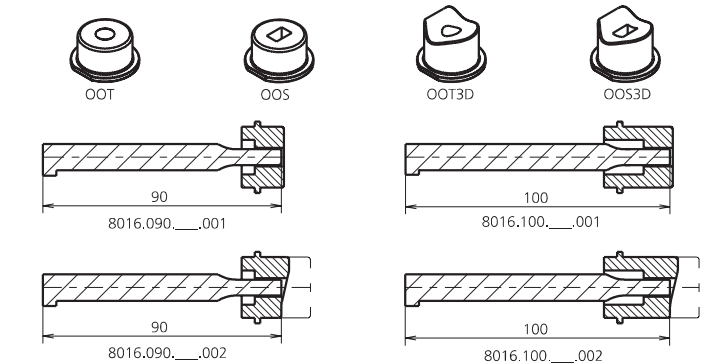
CODE	DESCRIPTION	Q.TY
9016.090.010.001	PREMILAMIERA CORTO / SHORT BLANKHOLDER / KURZ BLECHHALTER 90MM Ø10	1*CHOOSE
9016.090.010.002	PREMILAMIERA LUNGO / LONG BLANKHOLDER / LANG BLECHHALTER 90MM Ø10	1*CHOOSE
9016.100.010.001	PREMILAMIERA CORTO / SHORT BLANKHOLDER / KURZ BLECHHALTER 100MM Ø10	1*CHOOSE
9016.100.010.002	PREMILAMIERA LUNGO / LONG BLANKHOLDER / LANG BLECHHALTER 100MM Ø10	1*CHOOSE
8016.090.010.001	PREMILAMIERA CORTO / SHORT BLANKHOLDER / KURZ BLECHHALTER 90MM Ø10	1*CHOOSE
8016.090.010.002	PREMILAMIERA LUNGO / LONG BLANKHOLDER / LANG BLECHHALTER 90MM Ø10	1*CHOOSE
8016.100.010.001	PREMILAMIERA CORTO / SHORT BLANKHOLDER / KURZ BLECHHALTER 100MM Ø10	1*CHOOSE
8016.100.010.002	PREMILAMIERA LUNGO / LONG BLANKHOLDER / LANG BLECHHALTER 100MM Ø10	1*CHOOSE
9016.090.136.001	PREMILAMIERA CORTO / SHORT BLANKHOLDER / KURZ BLECHHALTER 90MM Ø13	1*CHOOSE
9016.090.136.002	PREMILAMIERA LUNGO / LONG BLANKHOLDER / LANG BLECHHALTER 90MM Ø13	1*CHOOSE
9016.100.136.001	PREMILAMIERA CORTO / SHORT BLANKHOLDER / KURZ BLECHHALTER 100MM Ø13	1*CHOOSE
9016.100.136.002	PREMILAMIERA LUNGO / LONG BLANKHOLDER / LANG BLECHHALTER 100MM Ø13	1*CHOOSE
8016.090.136.001	PREMILAMIERA CORTO / SHORT BLANKHOLDER / KURZ BLECHHALTER 90MM Ø13	1*CHOOSE
8016.090.136.002	PREMILAMIERA LUNGO / LONG BLANKHOLDER / LANG BLECHHALTER 90MM Ø13	1*CHOOSE
8016.100.136.001	PREMILAMIERA CORTO / SHORT BLANKHOLDER / KURZ BLECHHALTER 100MM Ø13	1*CHOOSE
8016.100.136.002	PREMILAMIERA LUNGO / LONG BLANKHOLDER / LANG BLECHHALTER 100MM Ø13	1*CHOOSE
9016.090.136.001	PREMILAMIERA CORTO / SHORT BLANKHOLDER / KURZ BLECHHALTER 90MM Ø16	1*CHOOSE
9016.090.136.002	PREMILAMIERA LUNGO / LONG BLANKHOLDER / LANG BLECHHALTER 90MM Ø16	1*CHOOSE
9016.100.136.001	PREMILAMIERA CORTO / SHORT BLANKHOLDER / KURZ BLECHHALTER 100MM Ø16	1*CHOOSE
9016.100.136.002	PREMILAMIERA LUNGO / LONG BLANKHOLDER / LANG BLECHHALTER 100MM Ø16	1*CHOOSE
8016.090.136.001	PREMILAMIERA CORTO / SHORT BLANKHOLDER / KURZ BLECHHALTER 90MM Ø16	1*CHOOSE
8016.090.136.002	PREMILAMIERA LUNGO / LONG BLANKHOLDER / LANG BLECHHALTER 90MM Ø16	1*CHOOSE
8016.100.136.001	PREMILAMIERA CORTO / SHORT BLANKHOLDER / KURZ BLECHHALTER 100MM Ø16	1*CHOOSE
8016.100.136.002	PREMILAMIERA LUNGO / LONG BLANKHOLDER / LANG BLECHHALTER 100MM Ø16	1*CHOOSE
9016.090.205.001	PREMILAMIERA CORTO / SHORT BLANKHOLDER / KURZ BLECHHALTER 90MM Ø20	1*CHOOSE
9016.090.205.002	PREMILAMIERA LUNGO / LONG BLANKHOLDER / LANG BLECHHALTER 90MM Ø20	1*CHOOSE
9016.100.205.001	PREMILAMIERA CORTO / SHORT BLANKHOLDER / KURZ BLECHHALTER 100MM Ø20	1*CHOOSE
9016.100.205.002	PREMILAMIERA LUNGO / LONG BLANKHOLDER / LANG BLECHHALTER 100MM Ø20	1*CHOOSE
8016.090.205.001	PREMILAMIERA CORTO / SHORT BLANKHOLDER / KURZ BLECHHALTER 90MM Ø20	1*CHOOSE
8016.090.205.002	PREMILAMIERA LUNGO / LONG BLANKHOLDER / LANG BLECHHALTER 90MM Ø20	1*CHOOSE
8016.100.205.001	PREMILAMIERA CORTO / SHORT BLANKHOLDER / KURZ BLECHHALTER 100MM Ø20	1*CHOOSE
8016.100.205.002	PREMILAMIERA LUNGO / LONG BLANKHOLDER / LANG BLECHHALTER 100MM Ø20	1*CHOOSE
9016.090.205.001	PREMILAMIERA CORTO / SHORT BLANKHOLDER / KURZ BLECHHALTER 90MM Ø25	1*CHOOSE
9016.090.205.002	PREMILAMIERA LUNGO / LONG BLANKHOLDER / LANG BLECHHALTER 90MM Ø25	1*CHOOSE
9016.100.205.001	PREMILAMIERA CORTO / SHORT BLANKHOLDER / KURZ BLECHHALTER 100MM Ø25	1*CHOOSE
9016.100.205.002	PREMILAMIERA LUNGO / LONG BLANKHOLDER / LANG BLECHHALTER 100MM Ø25	1*CHOOSE
8016.090.205.001	PREMILAMIERA CORTO / SHORT BLANKHOLDER / KURZ BLECHHALTER 90MM Ø25	1*CHOOSE
8016.090.205.002	PREMILAMIERA LUNGO / LONG BLANKHOLDER / LANG BLECHHALTER 90MM Ø25	1*CHOOSE
8016.100.205.001	PREMILAMIERA CORTO / SHORT BLANKHOLDER / KURZ BLECHHALTER 100MM Ø25	1*CHOOSE
8016.100.205.002	PREMILAMIERA LUNGO / LONG BLANKHOLDER / LANG BLECHHALTER 100MM Ø25	1*CHOOSE
9016.090.032.001	PREMILAMIERA CORTO / SHORT BLANKHOLDER / KURZ BLECHHALTER 90MM Ø32	1*CHOOSE
9016.090.032.002	PREMILAMIERA LUNGO / LONG BLANKHOLDER / LANG BLECHHALTER 90MM Ø32	1*CHOOSE

CODE	DESCRIPTION	Q.TY
9016.100.032.001	PREMILAMIERA CORTO / SHORT BLANKHOLDER / KURZ BLECHHALTER 100MM Ø32	1*CHOOSE
9016.100.032.002	PREMILAMIERA LUNGO / LONG BLANKHOLDER / LANG BLECHHALTER 100MM Ø32	1*CHOOSE
8016.090.032.001	PREMILAMIERA CORTO / SHORT BLANKHOLDER / KURZ BLECHHALTER 90MM Ø32	1*CHOOSE
8016.090.032.002	PREMILAMIERA LUNGO / LONG BLANKHOLDER / LANG BLECHHALTER 90MM Ø32	1*CHOOSE
8016.100.032.001	PREMILAMIERA CORTO / SHORT BLANKHOLDER / KURZ BLECHHALTER 100MM Ø32	1*CHOOSE
8016.100.032.002	PREMILAMIERA LUNGO / LONG BLANKHOLDER / LANG BLECHHALTER 100MM Ø32	1*CHOOSE
9016.090.040.001	PREMILAMIERA CORTO / SHORT BLANKHOLDER / KURZ BLECHHALTER 90MM Ø40	1*CHOOSE
9016.090.040.002	PREMILAMIERA LUNGO / LONG BLANKHOLDER / LANG BLECHHALTER 90MM Ø40	1*CHOOSE
9016.100.040.001	PREMILAMIERA CORTO / SHORT BLANKHOLDER / KURZ BLECHHALTER 100MM Ø40	1*CHOOSE
9016.100.040.002	PREMILAMIERA LUNGO / LONG BLANKHOLDER / LANG BLECHHALTER 100MM Ø40	1*CHOOSE
8016.090.040.001	PREMILAMIERA CORTO / SHORT BLANKHOLDER / KURZ BLECHHALTER 90MM Ø40	1*CHOOSE
8016.090.040.002	PREMILAMIERA LUNGO / LONG BLANKHOLDER / LANG BLECHHALTER 90MM Ø40	1*CHOOSE
8016.100.040.001	PREMILAMIERA CORTO / SHORT BLANKHOLDER / KURZ BLECHHALTER 100MM Ø40	1*CHOOSE
8016.100.040.002	PREMILAMIERA LUNGO / LONG BLANKHOLDER / LANG BLECHHALTER 100MM Ø40	1*CHOOSE

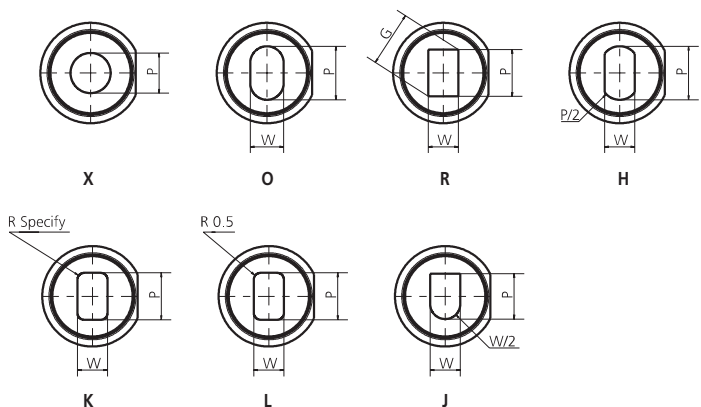
9016 PREMILAMIERA SBOZZATO / BLANK-BLANKHOLDER / ROHLING BLECHHALTER BRONZE = BRAL 5275



8016 TESTINA SAGOMATA / SHAPED HEAD / GEFORMT BLECHHALTERKOPF



PREMILAMIERA SAGOMATO / SHAPED BLANKHOLDER / GEFORMT BLECHHALTER



Attenzione: per sagome speciali, è necessario un disegno 3D del cliente.
 Attention: In case of special shape, the customer's 3D drawing is necessary.
 Achtung: Kundenspezifische Profile werden ausschließlich nach Vorlage einer 3D-Zeichnung gefertigt.
 Attention: pour les formes spéciales, un dessin en 3D du client est nécessaire.
 Luce per lato / Clearance / Lichtstrahlung auf jeder Seite / Espace par côté: 0,15mm

MODELLO D'ORDINE / ORDER EXAMPLE / BESTELLBEISPIEL / MODÈLE DE COMMANDE

MODEL 9016.090.010.001