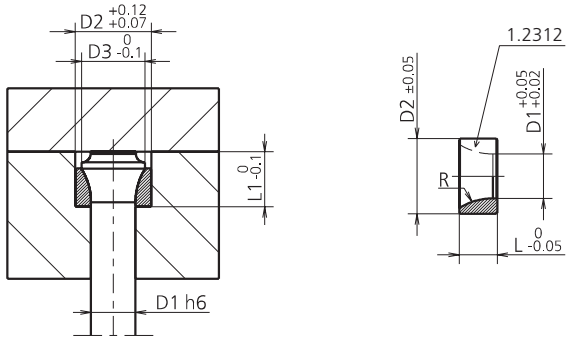




1061 - INSERTO A COLLO DI TROMBONE

BOTTLE NECK INSERT / AUFNAHMEHÜLSE FÜR SCHNEIDSTEMPEL MIT POSAUNENHALS
INSERT À COL DE CYGNE



MODEL	D1	R	D2	D3	L	L1
1061.0050	5	10	8.8	7	7	11
1061.0051	5.1	10	8.8	7	7	11
1061.0052	5.2	10	8.8	7	7	11
1061.0053	5.3	10	8.8	7	7	11
1061.0054	5.4	10	8.8	7	7	11
1061.0055	5.5	10	9.8	8	7	11
1061.0056	5.6	10	9.8	8	7	11
1061.0057	5.7	10	9.8	8	7	11
1061.0058	5.8	10	9.8	8	7	11
1061.0059	5.9	10	9.8	8	7	11
1061.0060	6	10	10.8	9	7	11
1061.0061	6.1	10	10.8	9	7	11
1061.0062	6.2	10	10.8	9	7	11
1061.0063	6.3	10	10.8	9	7	11
1061.0064	6.4	10	10.8	9	7	11
1061.0065	6.5	12	11.8	10	7	11
1061.0066	6.6	12	11.8	10	7	11
1061.0067	6.7	12	11.8	10	7	11
1061.0068	6.8	12	11.8	10	7	11
1061.0069	6.9	12	11.8	10	7	11
1061.0070	7	12	11.8	10	7	11
1061.0071	7.1	12	11.8	10	7	11
1061.0072	7.2	12	11.8	10	7	11
1061.0073	7.3	12	11.8	10	7	11
1061.0074	7.4	12	11.8	10	7	11
1061.0075	7.5	12	12.8	11	7	11
1061.0076	7.6	12	12.8	11	7	11
1061.0077	7.7	12	12.8	11	7	11
1061.0078	7.8	12	12.8	11	7	11
1061.0079	7.9	12	12.8	11	7	11
1061.0080	8	12	12.8	11	7	11
1061.0081	8.1	12	12.8	11	7	11
1061.0082	8.2	12	12.8	11	7	11
1061.0083	8.3	12	12.8	11	7	11
1061.0084	8.4	12	12.8	11	7	11
1061.0085	8.5	15	14.8	13	8	12
1061.0086	8.6	15	14.8	13	8	12
1061.0087	8.7	15	14.8	13	8	12
1061.0088	8.8	15	14.8	13	8	12
1061.0089	8.9	15	14.8	13	8	12
1061.0090	9	15	14.8	13	8	12
1061.0091	9.1	15	14.8	13	8	12
1061.0092	9.2	15	14.8	13	8	12
1061.0093	9.3	15	14.8	13	8	12
1061.0094	9.4	15	14.8	13	8	12

MODEL	D1	R	D2	D3	L	L1
1061.0095	9.5	15	15.8	14	9	13
1061.0096	9.6	15	15.8	14	9	13
1061.0097	9.7	15	15.8	14	9	13
1061.0098	9.8	15	15.8	14	9	13
1061.0099	9.9	15	15.8	14	9	13
1061.0100	10	15	15.8	14	9	13
1061.0101	10.1	15	15.8	14	9	13
1061.0102	10.2	15	15.8	14	9	13
1061.0103	10.3	15	15.8	14	9	13
1061.0104	10.4	15	15.8	14	9	13
1061.0105	10.5	15	17.8	15	9	13
1061.0106	10.6	15	17.8	15	9	13
1061.0107	10.7	15	17.8	15	9	13
1061.0108	10.8	15	17.8	15	9	13
1061.0109	10.9	15	17.8	15	9	13
1061.0110	11	15	17.8	15	9	13
1061.0111	11.1	15	17.8	15	9	13
1061.0112	11.2	15	17.8	15	9	13
1061.0113	11.3	15	17.8	15	9	13
1061.0114	11.4	15	17.8	15	9	13
1061.0115	11.5	15	17.8	16	9	13
1061.0116	11.6	15	17.8	16	9	13
1061.0117	11.7	15	17.8	16	9	13
1061.0118	11.8	15	17.8	16	9	13
1061.0119	11.9	15	17.8	16	9	13
1061.0120	12	15	17.8	16	9	13
1061.0121	12.1	15	17.8	16	9	13
1061.0122	12.2	15	17.8	16	9	13
1061.0123	12.3	15	17.8	16	9	13
1061.0124	12.4	15	17.8	16	9	13
1061.0125	12.5	15	19.8	17	9	13
1061.0126	12.6	15	19.8	17	9	13
1061.0127	12.7	15	19.8	17	9	13
1061.0128	12.8	15	19.8	17	9	13
1061.0129	12.9	15	19.8	17	9	13
1061.0130	13	15	19.8	17	9	13
1061.0131	13.1	15	19.8	17	9	13
1061.0132	13.2	15	19.8	17	9	13
1061.0133	13.3	15	19.8	17	9	13
1061.0134	13.4	15	19.8	17	9	13
1061.0135	13.5	15	19.8	18	9	13
1061.0136	13.6	15	19.8	18	9	13
1061.0137	13.7	15	19.8	18	9	13
1061.0138	13.8	15	19.8	18	9	13
1061.0139	13.9	15	19.8	18	9	13
1061.0140	14	15	19.8	18	9	13
1061.0141	14.1	15	19.8	18	9	13
1061.0142	14.2	15	19.8	18	9	13
1061.0143	14.3	15	19.8	18	9	13
1061.0144	14.4	15	19.8	18	9	13

MODEL	D1	R	D2	D3	L	L1
1061.0145	14.5	15	21.8	19	9	13
1061.0146	14.6	15	21.8	19	9	13
1061.0147	14.7	15	21.8	19	9	13
1061.0148	14.8	15	21.8	19	9	13
1061.0149	14.9	15	21.8	19	9	13
1061.0150	15	15	21.8	19	9	13
1061.0151	15.1	15	21.8	19	9	13
1061.0152	15.2	15	21.8	19	9	13
1061.0153	15.3	15	21.8	19	9	13
1061.0154	15.4	15	21.8	19	9	13
1061.0155	15.5	15	21.8	20	9	13
1061.0156	15.6	15	21.8	20	9	13
1061.0157	15.7	15	21.8	20	9	13
1061.0158	15.8	15	21.8	20	9	13
1061.0159	15.9	15	21.8	20	9	13
1061.0160	16	15	21.8	20	9	13
1061.0161	16.1	15	21.8	20	9	13
1061.0162	16.2	15	21.8	20	9	13
1061.0163	16.3	15	21.8	20	9	13
1061.0164	16.4	15	21.8	20	9	13
1061.0165	16.5	15	23.8	21	9	13
1061.0166	16.6	15	23.8	21	9	13
1061.0167	16.7	15	23.8	21	9	13
1061.0168	16.8	15	23.8	21	9	13
1061.0169	16.9	15	23.8	21	9	13
1061.0170	17	15	23.8	21	9	13
1061.0171	17.1	15	23.8	21	9	13
1061.0172	17.2	15	23.8	21	9	13
1061.0173	17.3	15	23.8	21	9	13
1061.0174	17.4	15	23.8	21	9	13
1061.0175	17.5	15	24.8	22	9	13
1061.0176	17.6	15	24.8	22	9	13
1061.0177	17.7	15	24.8	22	9	13
1061.0178	17.8	15	24.8	22	9	13
1061.0179	17.9	15	24.8	22	9	13
1061.0180	18	15	24.8	22	9	13
1061.0181	18.1	15	24.8	22	9	13
1061.0182	18.2	15	24.8	22	9	13
1061.0183	18.3	15	24.8	22	9	13
1061.0184	18.4	15	24.8	22	9	13
1061.0185	18.5	15	25.8	23	9	13
1061.0186	18.6	15	25.8	23	9	13
1061.0187	18.7	15	25.8	23	9	13
1061.0188	18.8	15	25.8	23	9	13
1061.0189	18.9	15	25.8	23	9	13
1061.0190	19	15	25.8	23	9	13
1061.0191	19.1	15	25.8	23	9	13
1061.0192	19.2	15	25.8	23	9	13
1061.0193	19.3	15	25.8	23	9	13
1061.0194	19.4	15	25.8	23	9	13
1061.0195	19.5	15	27.8	25	9	13
1061.0196	19.6	15	27.8	25	9	13
1061.0197	19.7	15	27.8	25	9	13
1061.0198	19.8	15	27.8	25	9	13
1061.0199	19.9	15	27.8	25	9	13
1061.0200	20	15	27.8	25	9	13

MODELLO D'ORDINE / ORDER EXAMPLE / BESTELLBEISPIEL / MODÈLE DE COMMANDE

MODEL **1061** Ø DIAMETER PUNCH **0050**