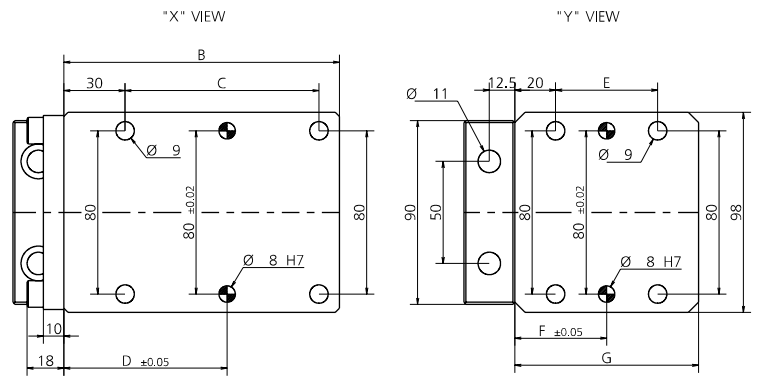
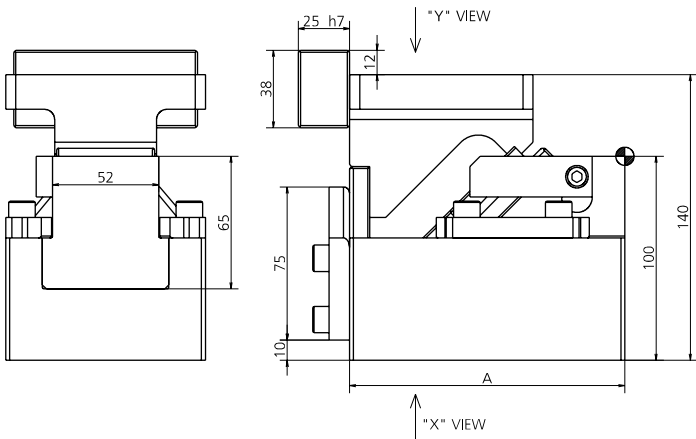


POS.	DESCRIPTION	Q.TY
001	CORPO CAMMA / CAM BODY / GRUNDGEHÄUSE	1
002	SLITTA / SLIDER / LAGERKEIL	1
003	CUNEO / WEDGE / DRUCKKEIL	1
004	STAFFA DI AGGANCIO / BRACKET ATTACHMENTS / BRACKETBEFESTIGUNG	1
005	PIASTRA DI SCORRIMENTO / WEAR PLATE / DRUCKPLATTE	2
006	PIASTRA DI SCORRIMENTO / WEAR PLATE / DRUCKPLATTE	1
007	PIASTRA DI SCORRIMENTO / WEAR PLATE / DRUCKPLATTE	1
008	PIASTRA DI SCORRIMENTO / WEAR PLATE / DRUCKPLATTE	1

POS.	DESCRIPTION	Q.TY
009	PIASTRINA / PLATE / PLATTE	1
010	CHIAVETTA / KEY / SCHLÜSSEL	1
011	VITE / SCREW / SCHRAUBE M8X20	4
012	VITE / SCREW / SCHRAUBE M8X25	4
013	VITE / SCREW / SCHRAUBE M6X20	1
014	VITE / SCREW / SCHRAUBE M8X16	6
015	MOLLA / SPRING / FEDER	2
016	PERNO / PIN / STIFT	2



CODE	A	B	C	D	E	F	G	CAM STROKE	EXTRACTION FORCE (DAN)	CUTTING FORCE (DAN)
0152.0525-00	120	120	80	70	40	40	80	25	62	3800
0152.0540-00	135	135	95	80	50	45	90	40	63	3800
0152.0560-00	180	180	140	55	70	55	110	60	65	3800