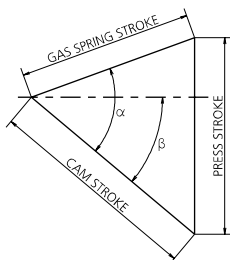
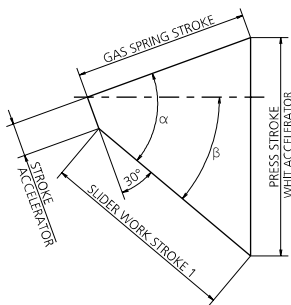
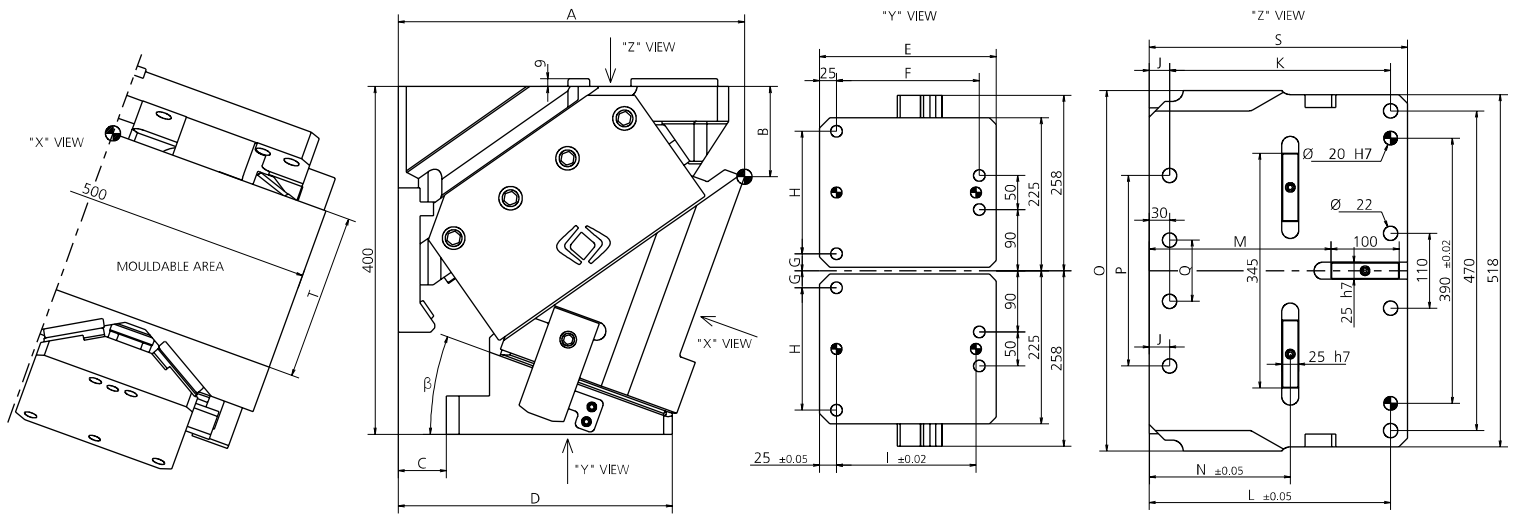


POS.	DESCRIPTION	Q.TY
001	CUNEO / WEDGE / DRUCKKEIL	1
003	CORPO CAMMA / CAM BODY / GRUNDGEHÄUSE	1
004	STAFFA DI AGGANCIO / BRACKET ATTACHMENTS / BRACKETBEFESTIGUNG	2
005	PIASTRINA / PLATE / PLATTE	2
006	DISTANZIALE / SPACER / ABSTANDSHALTER	2
007	STAFFA / BRACKET / BRACKET	2
008	SLITTA / SLIDER / LAGERKEIL	1
009	FINECORSO / LIMIT SWITCHES / ENDSCHALTER	2
010	PIASTRA DI SCORRIMENTO / WEAR PLATE / DRUCKPLATTE	2
011	CILINDRO AD AZOTO / NITROGEN CYLINDER / STICKSTOFFZYLINDER	2
012	PUNTALINO / BUMP STOP / STOSSDÄMPFERSPITZE	4
013	SENSORE DI SICUREZZA / SECURITY SENSOR / SENSOR FÜR SICHERHEIT	1*OPTION

POS.	DESCRIPTION	Q.TY
014	PIASTRA DI SCORRIMENTO / WEAR PLATE / DRUCKPLATTE	2
015	CUNEO / WEDGE / DRUCKSTÜCK	2
016	PIASTRA DI SCORRIMENTO / WEAR PLATE / DRUCKPLATTE	2
017	PIASTRA DI SCORRIMENTO / WEAR PLATE / DRUCKPLATTE	4
018	CHIAVETTA / KEY / SCHLÜSSEL	3
019	PIASTRA DI SCORRIMENTO / WEAR PLATE / DRUCKPLATTE	4
020	PIASTRA DI SCORRIMENTO / WEAR PLATE / DRUCKPLATTE	4
021	PIASTRA DI SCORRIMENTO / WEAR PLATE / DRUCKPLATTE	2
022	FINECORSO / LIMIT SWITCHES / ENDSCHALTER	1
023	CHIAVETTA / KEY / SCHLÜSSEL	2
024	DISTANZIALE / SPACER / ABSTANDSHALTER	2
025	CUNEO / WEDGE / DRUCKKEIL	2



β	α	SLIDER WORK STROKE 1	SLIDER WORK STROKE 2	PRESS STROKE	PRESS STROKE WITH ACCELERATOR	STROKE ACCELERATOR	GAS SPRING STROKE	CAM STROKE	EXTRACTION FORCE (DAN)	CUTTING FORCE (DAN)
0°	50°	37.28	25	44.43	51.52	14.18	58	37.28	9810	120200
5°	50°	41.17	25	44.6	54.47	19.66	58	41.17	9810	120200
10°	55°	41.64	25	48.24	59.11	21.4	58	41.64	9850	120200
15°	55°	46	35	49.19	56.96	15.02	58	46	9850	120200
20°	55°	50.56	35	50.56	62.66	22.75	58	50.56	9850	120200
25°	60°	52.42	35	55.42	70.61	27.53	58	52.42	9820	120200
30°	60°	58	35	58	81	39.84	58	58	9820	120200
35°	65°	61.32	40	64.17	89.39	41.32	58	61.32	9710	120200
40°	65°	68.62	50	68.62	95.84	41.7	58	68.62	9710	120200
45°	70°	74.34	55	77.08	114.44	52.84	58	74.34	9520	120200
50°	70°	84.79	77	84.79	107.22	28.84	58	84.79	9520	120200
55°	75°	95.02	/	97.67	/	/	58	95.02	9260	120200
60°	75°	112.05	/	112.05	/	/	58	112.05	9260	120200
65°	80°	102.85	/	104.86	/	/	45	102.85	8880	120200
70°	85°	127.09	/	131.07	/	/	45	127.09	8490	120200
75°	85°	114.15	/	115.47	/	/	30	114.15	8420	120200



CODE	β	A	B	C	D	E	F	G	H	I	J	K	L	M	N	O	P	Q	R	S	T
0150.0600-00	0°	368	75	120	375	255	205	25	180	200	30	330	360	272.5	167.5	600	560	250	330	385	200
0150.0600-05	5°	377.63	89.37	105	363	258	210	25	180	205	30	330	360	272.5	182.5	600	560	250	330	385	200
0150.0600-10	10°	390.75	79.89	105	350	245	205	25	180	200	30	330	360	272.5	192.5	600	560	250	330	385	220
0150.0600-15	15°	402.05	91.32	95	340	245	195	25	180	190	30	330	360	272.5	207.5	600	560	250	330	385	220
0150.0600-20	20°	398.19	103.74	55	315	260	210	25	180	205	30	325	355	267.5	207.5	530	280	90	325	380	220
0150.0600-25	25°	413.29	108.04	55	305	250	200	25	180	195	30	325	355	267.5	222.5	530	280	90	325	380	230
0150.0600-30	30°	424.61	112.76	45	295	250	200	25	180	195	30	345	375	287.5	222.5	530	280	90	345	400	230
0150.0600-35	35°	446.94	112.05	5	285	280	230	25	180	225	30	355	385	302.5	202.5	530	280	90	355	415	250
0150.0600-40	40°	458.65	129.72	5	280	275	225	25	180	220	30	380	410	322.5	217.5	530	280	90	380	435	250
0150.0600-45	45°	469.65	148.37	5	270	265	215	25	180	210	30	380	410	322.5	242.5	530	280	90	380	435	250
0150.0600-50	50°	457.83	148.68	-5	220	225	175	25	180	170	30	400	430	342.5	232.5	530	280	100	400	455	250
0150.0600-55	55°	476.95	165.45	-5	210	215	165	25	180	160	30	400	430	342.5	247.5	530	280	100	400	455	260
0150.0600-60	60°	477.2	194.61	-15	200	215	165	25	180	160	30	400	430	342.5	267.5	530	280	100	400	455	260
0150.0600-65	65°	486.19	219.6	5	190	185	140	35	160	130	55	415	470	382.5	262.5	600	560	250	440	495	260
0150.0600-70	70°	493.83	250.32	5	185	180	135	35	160	125	55	415	470	382.5	262.5	600	560	250	440	495	260
0150.0600-75	75°	500.07	276.64	5	180	175	120	35	160	130	55	415	470	382.5	327.5	600	560	250	440	495	260

13 PATENT PENDING

13 (9003) SENSORE / SENSOR / SENSOR



MODELLO D'ORDINE / ORDER EXAMPLE / BESTELLBEISPIEL / MODÈLE DE COMMANDE

MODEL **0150.0600** INCLINATION **-10°** OPTION CODE **9003.0002**