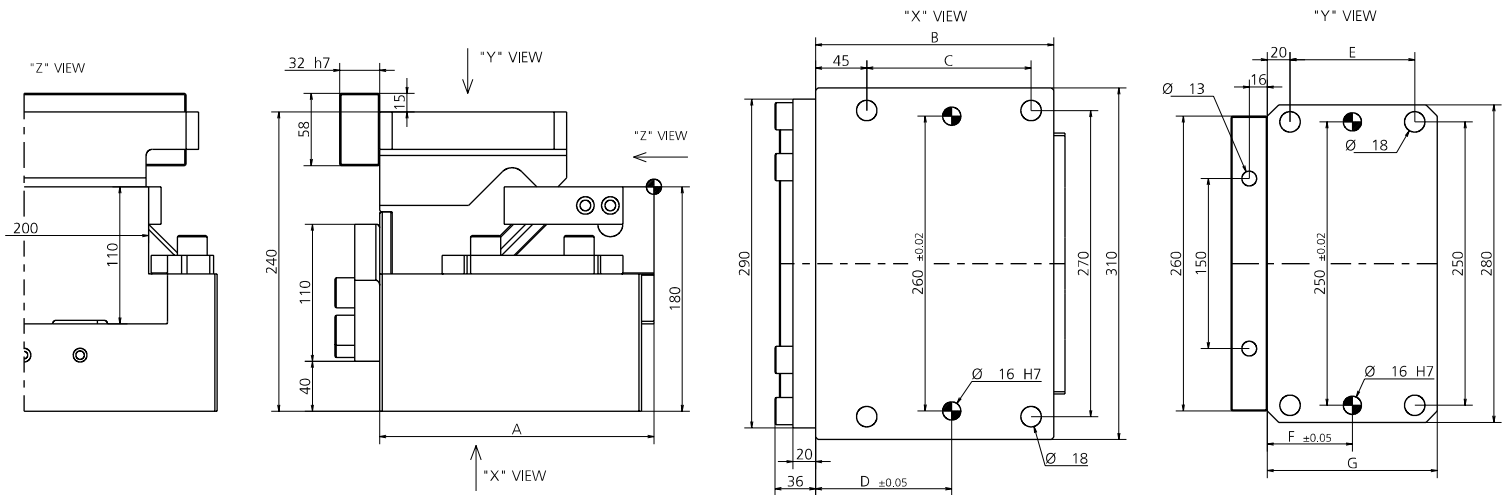


| POS. | DESCRIPTION   | Q.TY |
|------|---|------|
| 001  | CORPO CAMMA / CAM BODY / GRUNDGEHÄUSE                         | 1    |
| 002  | SLITTA / SLIDER / LAGERKEIL                                   | 1    |
| 003  | CUNEO / WEDGE / DRUCKKEIL                                     | 1    |
| 004  | STAFFA DI AGGANCIO / BRACKET ATTACHMENTS / BRACKETBEFESTIGUNG | 1    |
| 005  | STAFFA DI AGGANCIO / BRACKET ATTACHMENTS / BRACKETBEFESTIGUNG | 1    |
| 006  | PIASTRA DI SCORRIMENTO / WEAR PLATE / DRUCKPLATTE             | 1    |
| 007  | PIASTRA DI SCORRIMENTO / WEAR PLATE / DRUCKPLATTE             | 1    |
| 008  | PIASTRA DI SCORRIMENTO / WEAR PLATE / DRUCKPLATTE             | 2    |
| 009  | PIASTRA DI SCORRIMENTO / WEAR PLATE / DRUCKPLATTE             | 1    |
| 010  | PIASTRA DI SCORRIMENTO / WEAR PLATE / DRUCKPLATTE             | 2    |

| POS. | DESCRIPTION  | Q.TY |
|------|--|------|
| 011  | PIASTRINA / PLATE / PLATTE                                 | 1    |
| 012  | CHIAVETTA / KEY / SCHLÜSSEL                                | 1    |
| 013  | VITE / SCREW / SCHRAUBE M16X40                             | 4    |
| 014  | VITE / SCREW / SCHRAUBE M16X45                             | 6    |
| 015  | VITE / SCREW / SCHRAUBE M8X20                              | 4    |
| 016  | VITE / SCREW / SCHRAUBE M10X20                             | 8    |
| 017  | VITE / SCREW / SCHRAUBE M10X25                             | 4    |
| 018  | VITE / SCREW / SCHRAUBE M6X30                              | 3    |
| 019  | CILINDRO AD AZOTO / NITROGEN CYLINDER / STICKSTOFFZYLINDER | 3    |
| 020  | PIASTRA DI SCORRIMENTO / WEAR PLATE / DRUCKPLATTE          | 1    |



| CODE         | A   | B   | C   | D   | E   | F  | G   | CAM STROKE | PRESS STROKE | EXTRACTION FORCE (DAN) | CUTTING FORCE (DAN) |
|--------------|-----|-----|-----|-----|-----|----|-----|------------|--------------|------------------------|---------------------|
| 0152.2040-00 | 200 | 200 | 135 | 110 | 90  | 65 | 130 | 40         | 40           | 860                    | 17600               |
| 0152.2060-00 | 220 | 210 | 145 | 120 | 110 | 75 | 150 | 60         | 60           | 1010                   | 17600               |