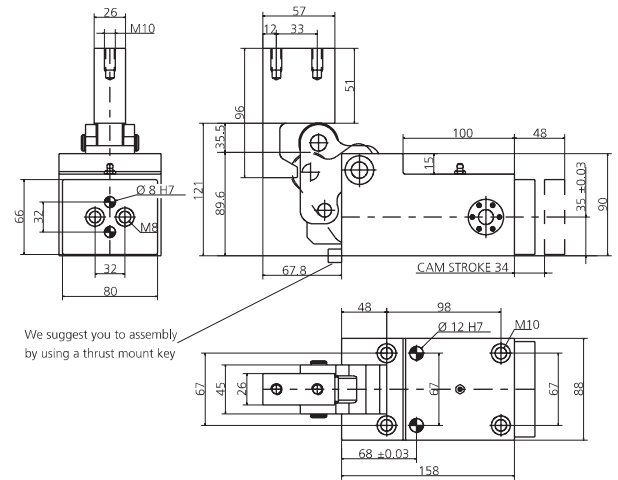
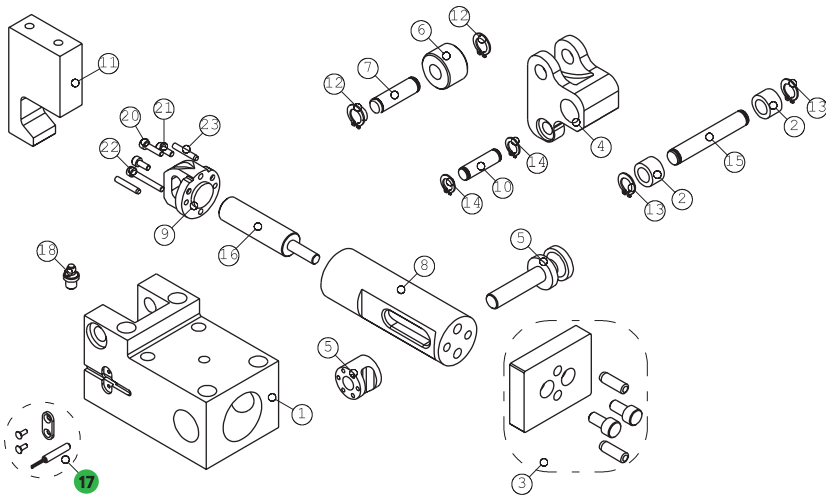


0142.0240 - CAM MA240

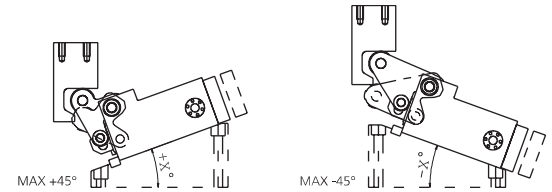
FORZA INIZIALE DI ESTRAZIONE / INITIAL EXTRACTION FORCE **240 daN**
 RÜCKZUGSKRAFT / FORCE INITIALE D'EXTRACTION
 FORZA FINALE DI ESTRAZIONE / FINAL FORCE OF EXTRACTION **270 daN**
 ENDKRAFT DER EXTRACTION / FORCE FINALE D'EXTRACTION

SFORZO MAX TRANCIO **5000 daN**
 CUTTING MAX FORCE
 MAXIMALE SCHNITTKRAFT
 EFFORT MAXI DÉCOUPE



POS.	CODE	DESCRIPTION	Q.TY
001	8000.0042.0240	CORPO CAMMA / CAM BODY / GRUNDGEHÄUSE	1
002	9005.0112.0015.001	CUSCINETTO / BEARING / LAGER	2
003	8014.4244.0240	KIT PORTA PUNZONE / KIT PUNCH HOLDER / KIT TRÄGERPLATTE	1*OPTION
004	8001.0042.0240.000	LEVA / LEVER / NOCKE 0	1
004	8001.0042.0240.610	LEVA / LEVER / NOCKE +0.01 +10	1*OPTION
004	8001.0042.0240.630	LEVA / LEVER / NOCKE +10.01 +30	1*OPTION
004	8001.0042.0240.645	LEVA / LEVER / NOCKE +30.01 +45	1*OPTION
004	8001.0042.0240.715	LEVA / LEVER / NOCKE -0.01 -15	1*OPTION
004	8001.0042.0240.730	LEVA / LEVER / NOCKE -15.01 -30	1*OPTION
004	8001.0042.0240.745	LEVA / LEVER / NOCKE -30.01 -45	1*OPTION
005	8017.4244.0240	PERNO DI GUIDA / GUIDE PIN / FÜHRUNGSSTIFTE	1
006	8004.0290.0240.120.001	ROTELLA / ROLLER / ROLLE	1
007	8005.0510.0470.120.001	PERNO / PIN / STIFT	1
008	8018.1524.1344.500.001	PERNO CENTRALE / CENTRAL PIN / HAUPTSTIFT	1
009	8002.0042.0240	FLANGIA / FLANGE / FLANSCH	1
010	8005.0446.0406.120.001	PERNO / PIN / STIFT	1
011	8003.0960.0570.260.001	INCLUDINE / ANVIL / TREIBER	1*OPTION
012	9004.1120.001	SEEGER / SEEGER / SEEGERRING	2
013	9004.1150.001	SEEGER / SEEGER / SEEGERRING	2
014	9004.1120.001	SEEGER / SEEGER / SEEGERRING	2
015	8005.0870.0830.150.001	PERNO / PIN / STIFT	1
016	9000.0038.0025.001	CILINDRO AD AZOTO / NITROGEN CYLINDER / STICKSTOFFZYLINDER	1
017	8107.0142.0240.001	KIT SENSORE DI SICUREZZA / SECURITY SENSOR KIT / KIT SENSOR FÜR SICHERHEIT	1*OPTION
018	9006.002	INGRASSATORE / NIPPLE / SCHMIERUNG	1
020	9007.05.016.129.1.4762	VITE / SCREW / SCHRAUBE M5X16	1
021	9007.05.010.129.1.4762	VITE / SCREW / SCHRAUBE M5X10	2
022	9007.05.035.129.1.4762	VITE / SCREW / SCHRAUBE M5X35	1
023	9028.050.012.8735	SPINA CILINDRICA / DOWEL PIN / ZYLINDERSTIFT D5X12	2

004 (8001) LEVA / LEVER / NOCKE



017 (8107) SENSORE / SENSOR / SENSOR



17 PATENT PENDING

MODELLO D'ORDINE / ORDER EXAMPLE / BESTELLBEISPIEL / MODÈLE DE COMMANDE

MODEL **0142.0240** INCLINAZIONE **+10°** OPTION CODE **8001.0042.0240.610**