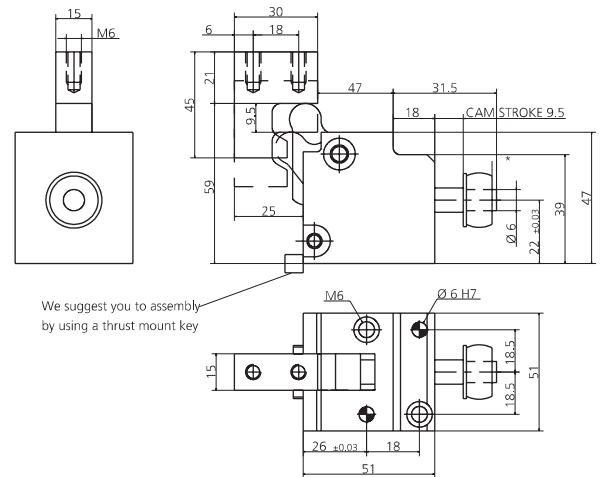
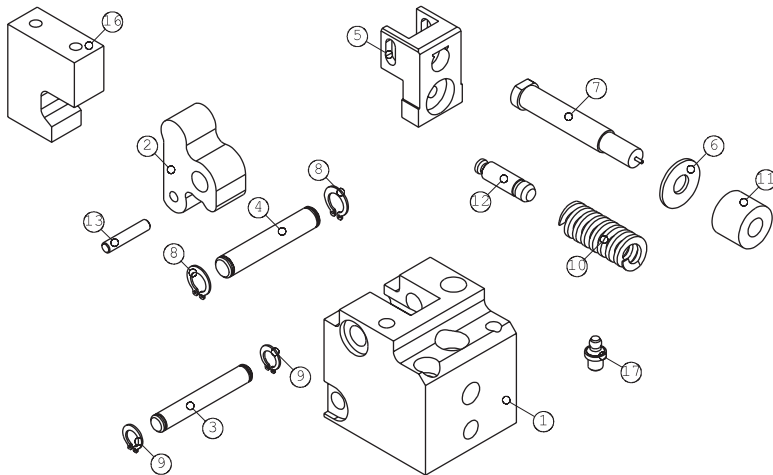


0140.0170 - CAM M170

FORZA INIZIALE DI ESTRAZIONE / INITIAL EXTRACTION FORCE **25 daN**
 RÜCKZUGSKRAFT / FORCE INITIALE D'EXTRACTION
 FORZA FINALE DI ESTRAZIONE / FINAL FORCE OF EXTRACTION **170 daN**
 ENDKRAFT DER EXTRACTION / FORCE FINALE D'EXTRACTION

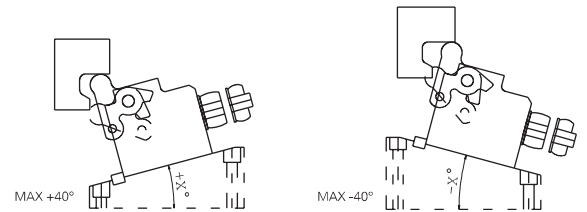
SFORZO MAX TRANCIO **1000 daN**
 CUTTING MAX FORCE
 MAXIMALE SCHNITTKRAFT
 EFFORT MAXI DÉCOUPE

* MAX 30% LUNGHEZZA LIBERA

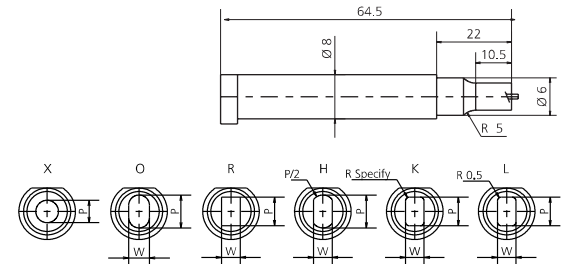


POS.	CODE	DESCRIPTION	Q.TY
001	8000.0040.0170	CORPO CAMMA / CAM BODY / GRUNDGEHÄUSE	1
002	8001.4041.0170.000	LEVA / LEVER / NOCKE 0	1
002	8001.4041.0170.620	LEVA / LEVER / NOCKE +0.01 +20	1*OPTION
002	8001.4041.0170.640	LEVA / LEVER / NOCKE +20.01 +40	1*OPTION
002	8001.4041.0170.720	LEVA / LEVER / NOCKE -0.01 -20	1*OPTION
002	8001.4041.0170.740	LEVA / LEVER / NOCKE -20.01 -40	1*OPTION
003	8005.0510.0474.060.001	PERNO / PIN / STIFT	1
004	8005.0510.0476.080.001	PERNO / PIN / STIFT	1
005	8014.4041.0170	PORTA PUNZONE / GATE PUNCH / STempelHALTEPLATTE	1
006	8006.0020.0240.062.001	RONDELLA / WASHER / UNTERLEGSCHIEBE	1
007	09MJBM2.080.064	MJB_PUNZONE TC CON ESPULSORE / HEADED PUNCH WITH EJECTOR / SCHNEIDSTEMPEL MIT ABSTOSSER 8 64.5	1
007	09MJXM2.080.064	MIX_PUNZONE TC CON ESPULSORE / HEADED PUNCH WITH EJECTOR / SCHNEIDSTEMPEL MIT ABSTOSSER 8 64.5	1*OPTION
007	09MJOM2.080.064	MJO_PUNZONE TC CON ESPULSORE / HEADED PUNCH WITH EJECTOR / SCHNEIDSTEMPEL MIT ABSTOSSER 8 64.5	1*OPTION
007	09MJJM2.080.064	MJJ_PUNZONE TC CON ESPULSORE / HEADED PUNCH WITH EJECTOR / SCHNEIDSTEMPEL MIT ABSTOSSER 8 64.5	1*OPTION
007	09MJHM2.080.064	MJH_PUNZONE TC CON ESPULSORE / HEADED PUNCH WITH EJECTOR / SCHNEIDSTEMPEL MIT ABSTOSSER 8 64.5	1*OPTION
007	09MJKM2.080.064	MJK_PUNZONE TC CON ESPULSORE / HEADED PUNCH WITH EJECTOR / SCHNEIDSTEMPEL MIT ABSTOSSER 8 64.5	1*OPTION
007	09MJNM2.080.064	MJN_PUNZONE TC CON ESPULSORE / HEADED PUNCH WITH EJECTOR / SCHNEIDSTEMPEL MIT ABSTOSSER 8 64.5	1*OPTION
007	09MJLM2.080.064	MJL_PUNZONE TC CON ESPULSORE / HEADED PUNCH WITH EJECTOR / SCHNEIDSTEMPEL MIT ABSTOSSER 8 64.5	1*OPTION
007	09MJRM2.080.064	MJR_PUNZONE TC CON ESPULSORE / HEADED PUNCH WITH EJECTOR / SCHNEIDSTEMPEL MIT ABSTOSSER 8 64.5	1*OPTION
007	09MJVM2.080.064	MJV_PUNZONE TC CON ESPULSORE / HEADED PUNCH WITH EJECTOR / SCHNEIDSTEMPEL MIT ABSTOSSER 8 64.5	1*OPTION
007	09MJYM2.080.064	MJY_PUNZONE TC CON ESPULSORE / HEADED PUNCH WITH EJECTOR / SCHNEIDSTEMPEL MIT ABSTOSSER 8 64.5	1*OPTION
007	09MJZM2.080.064	MJZ_PUNZONE TC CON ESPULSORE / HEADED PUNCH WITH EJECTOR / SCHNEIDSTEMPEL MIT ABSTOSSER 8 64.5	1*OPTION
008	9004.1080.001	SEEGER / SEEGER / SEEGERRING	2
009	9004.1060.001	SEEGER / SEEGER / SEEGERRING	2
010	9009.2000.0320.120	MOLLA / SPRING / FEDER	1
011	8060.0620.020.E090.001	MOLLA IN GOMMA / RUBBER SPRING / ABSTREIFFEDER	1
012	8005.0265.0150.060.001	PERNO / PIN / STIFT	1
013	8005.0230.0230.040.001	PERNO / PIN / STIFT	1
016	8003.0450.0300.150.001	INCLUDINE / ANVIL / TREIBER	1*OPTION
017	9006.001	INGRASSATORE / NIPPLES / SCHMIERUNG	1

002 (8001) LEVA / LEVER / NOCKE



007 (09M) PUNZONE TC / HEADED PUNCH / SCHNEIDSTEMPEL ISO8020



MODELLO D'ORDINE / ORDER EXAMPLE / BESTELLBEISPIEL / MODÈLE DE COMMANDE

MODEL **0140.0170** INCLINATION **+10°** OPTION CODE **8001.4041.0170.620**