

# 0148.1880 - CAM SMEG1880-40

FORZA INIZIALE DI ESTRAZIONE / INITIAL EXTRACTION FORCE **1880 daN**

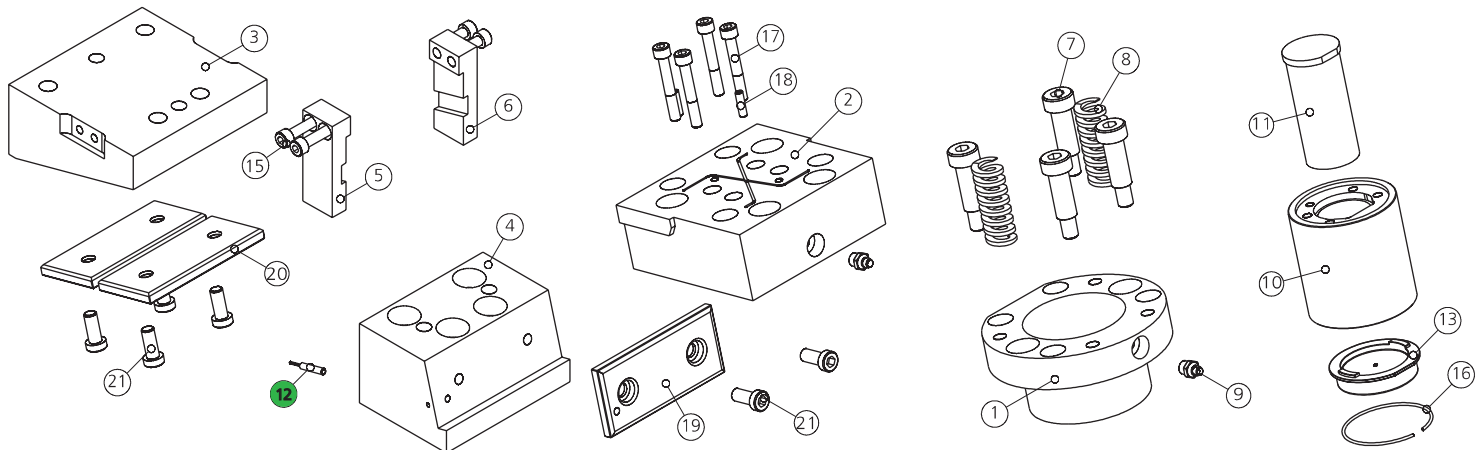
RÜCKZUGSKRAFT / FORCE INITIALE D'EXTRACTION

FORZA FINALE DI ESTRAZIONE / FINAL FORCE OF EXTRACTION **4100 daN**

ENDKRAFT DER EXTRACTION / FORCE FINALE D'EXTRACTION

SFORZO MAX TRANCIO **17000 daN**

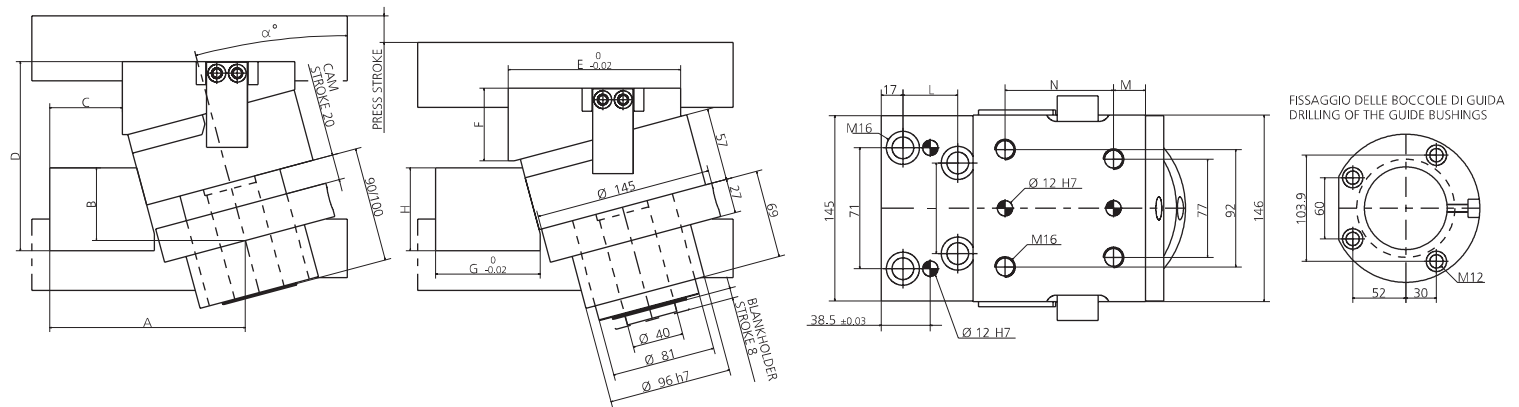
CUTTING MAX FORCE  
MAXIMALE SCHNITTKRAFT  
EFFORT MAXI DÉCOUPE



| POS. | CODE                          | DESCRIPTION  | Q.TY     |
|------|-------------------------------|--|----------|
| 001  | <b>8013.0690.1450.810.001</b> | BOCCOLA DI GUIDA / GUIDE BUSHINGS / FÜHRUNGSBUCHSE                     | 1        |
| 002  | <b>8014.0048.1880</b>         | PORTA PUNZONE / PUNCHES HOLDER / TRÄGERPLATTE                          | 1        |
| 003  | <b>8116.4851.1808.05.001</b>  | INCUDINE / ANVIL / TREIBER 5°  | 1*CHOOSE |
| 003  | <b>8116.4851.1808.10.001</b>  | INCUDINE / ANVIL / TREIBER 10°   | 1*CHOOSE |
| 003  | <b>8116.4851.1808.15.001</b>  | INCUDINE / ANVIL / TREIBER 15°   | 1*CHOOSE |
| 003  | <b>8116.4851.1808.20.001</b>  | INCUDINE / ANVIL / TREIBER 20°   | 1*CHOOSE |
| 003  | <b>8116.4851.1808.25.001</b>  | INCUDINE / ANVIL / TREIBER 25°   | 1*CHOOSE |
| 003  | <b>8116.4851.1808.30.001</b>  | INCUDINE / ANVIL / TREIBER 30°   | 1*CHOOSE |
| 003  | <b>8116.4851.1808.35.001</b>  | INCUDINE / ANVIL / TREIBER 35°   | 1*CHOOSE |
| 003  | <b>8116.4851.1808.40.001</b>  | INCUDINE / ANVIL / TREIBER 40°   | 1*CHOOSE |
| 003  | <b>8116.4851.1808.45.001</b>  | INCUDINE / ANVIL / TREIBER 45°   | 1*CHOOSE |
| 003  | <b>8116.4851.1808.50.001</b>  | INCUDINE / ANVIL / TREIBER 50°   | 1*CHOOSE |
| 004  | <b>8117.4851.1808.05.001</b>  | GUIDA / GUIDE / FÜHRUNG 5°   | 1*CHOOSE |
| 004  | <b>8117.4851.1808.10.001</b>  | GUIDA / GUIDE / FÜHRUNG 10°  | 1*CHOOSE |
| 004  | <b>8117.4851.1808.15.001</b>  | GUIDA / GUIDE / FÜHRUNG 15°  | 1*CHOOSE |
| 004  | <b>8117.4851.1808.20.001</b>  | GUIDA / GUIDE / FÜHRUNG 20°  | 1*CHOOSE |
| 004  | <b>8117.4851.1808.25.001</b>  | GUIDA / GUIDE / FÜHRUNG 25°  | 1*CHOOSE |
| 004  | <b>8117.4851.1808.30.001</b>  | GUIDA / GUIDE / FÜHRUNG 30°  | 1*CHOOSE |
| 004  | <b>8117.4851.1808.35.001</b>  | GUIDA / GUIDE / FÜHRUNG 35°  | 1*CHOOSE |
| 004  | <b>8117.4851.1808.40.001</b>  | GUIDA / GUIDE / FÜHRUNG 40°  | 1*CHOOSE |
| 004  | <b>8117.4851.1808.45.001</b>  | GUIDA / GUIDE / FÜHRUNG 45°  | 1*CHOOSE |
| 004  | <b>8117.4851.1808.50.001</b>  | GUIDA / GUIDE / FÜHRUNG 50°  | 1*CHOOSE |
| 005  | <b>8115.4851.1808.05.001</b>  | STAFFA DI AGGANCIAMENTO / BRACKET ATTACHMENTS / BRACKETBEFESTIGUNG 5°  | 1*CHOOSE |
| 005  | <b>8115.4851.1808.10.001</b>  | STAFFA DI AGGANCIAMENTO / BRACKET ATTACHMENTS / BRACKETBEFESTIGUNG 10° | 1*CHOOSE |
| 005  | <b>8115.4851.1808.15.001</b>  | STAFFA DI AGGANCIAMENTO / BRACKET ATTACHMENTS / BRACKETBEFESTIGUNG 15° | 1*CHOOSE |
| 005  | <b>8115.4851.1808.20.001</b>  | STAFFA DI AGGANCIAMENTO / BRACKET ATTACHMENTS / BRACKETBEFESTIGUNG 20° | 1*CHOOSE |
| 005  | <b>8115.4851.1808.25.001</b>  | STAFFA DI AGGANCIAMENTO / BRACKET ATTACHMENTS / BRACKETBEFESTIGUNG 25° | 1*CHOOSE |
| 005  | <b>8115.4851.1808.30.001</b>  | STAFFA DI AGGANCIAMENTO / BRACKET ATTACHMENTS / BRACKETBEFESTIGUNG 30° | 1*CHOOSE |
| 005  | <b>8115.4851.1808.35.001</b>  | STAFFA DI AGGANCIAMENTO / BRACKET ATTACHMENTS / BRACKETBEFESTIGUNG 35° | 1*CHOOSE |
| 005  | <b>8115.4851.1808.40.001</b>  | STAFFA DI AGGANCIAMENTO / BRACKET ATTACHMENTS / BRACKETBEFESTIGUNG 40° | 1*CHOOSE |
| 005  | <b>8115.4851.1808.45.001</b>  | STAFFA DI AGGANCIAMENTO / BRACKET ATTACHMENTS / BRACKETBEFESTIGUNG 45° | 1*CHOOSE |
| 005  | <b>8115.4851.1808.50.001</b>  | STAFFA DI AGGANCIAMENTO / BRACKET ATTACHMENTS / BRACKETBEFESTIGUNG 50° | 1*CHOOSE |
| 006  | <b>8115.4851.1808.05.002</b>  | STAFFA DI AGGANCIAMENTO / BRACKET ATTACHMENTS / BRACKETBEFESTIGUNG 5°  | 1*CHOOSE |
| 006  | <b>8115.4851.1808.10.002</b>  | STAFFA DI AGGANCIAMENTO / BRACKET ATTACHMENTS / BRACKETBEFESTIGUNG 10° | 1*CHOOSE |
| 006  | <b>8115.4851.1808.15.002</b>  | STAFFA DI AGGANCIAMENTO / BRACKET ATTACHMENTS / BRACKETBEFESTIGUNG 15° | 1*CHOOSE |
| 006  | <b>8115.4851.1808.20.002</b>  | STAFFA DI AGGANCIAMENTO / BRACKET ATTACHMENTS / BRACKETBEFESTIGUNG 20° | 1*CHOOSE |

| POS. | CODE                          | DESCRIPTION   | Q.TY     |
|------|-------------------------------|---|----------|
| 006  | <b>8115.4851.1808.25.002</b>  | STAFFA DI AGGANCIAMENTO / BRACKET ATTACHMENTS / BRACKETBEFESTIGUNG 25°  | 1*CHOOSE |
| 006  | <b>8115.4851.1808.30.002</b>  | STAFFA DI AGGANCIAMENTO / BRACKET ATTACHMENTS / BRACKETBEFESTIGUNG 30°  | 1*CHOOSE |
| 006  | <b>8115.4851.1808.35.002</b>  | STAFFA DI AGGANCIAMENTO / BRACKET ATTACHMENTS / BRACKETBEFESTIGUNG 35°  | 1*CHOOSE |
| 006  | <b>8115.4851.1808.40.002</b>  | STAFFA DI AGGANCIAMENTO / BRACKET ATTACHMENTS / BRACKETBEFESTIGUNG 40°  | 1*CHOOSE |
| 006  | <b>8115.4851.1808.45.002</b>  | STAFFA DI AGGANCIAMENTO / BRACKET ATTACHMENTS / BRACKETBEFESTIGUNG 45°  | 1*CHOOSE |
| 006  | <b>8115.4851.1808.50.002</b>  | STAFFA DI AGGANCIAMENTO / BRACKET ATTACHMENTS / BRACKETBEFESTIGUNG 50°  | 1*CHOOSE |
| 007  | <b>9008.1216.040</b>          | VITE A COLLETTA / SHOULDER SCREW / ANSATZSCHRAUBE   | 4        |
| 008  | <b>9009.3000.0890.250</b>     | MOLLA / SPRING / FEDER  | 2        |
| 009  | <b>9006.002</b>               | INGRASSATORE / NIPPLES / SCHMIERUNG   | 2        |
| 010  | <b>9030.040.001</b>           | CILINDRO SPECIALE / SPECIAL CYLINDER / SPEZIALZYLINDER  | 1        |
| 011  | <b>9090.3JBM2.400.090</b>     | PUNZONE SBOZZATO TC CON ESPULSORE / BLANK-HEADED PUNCH WITH EJECTOR / ROHLING SCHNEIDSTEMPEL MIT ABSTOSSER 10 90  | 1*OPTION |
| 011  | <b>9090.3JBM2.400.100</b>     | PUNZONE SBOZZATO TC CON ESPULSORE / BLANK-HEADED PUNCH WITH EJECTOR / ROHLING SCHNEIDSTEMPEL MIT ABSTOSSER 10 100 | 1*OPTION |
| 011  | <b>093J_M2.400.090</b>        | PUNZONE TC CON ESPULSORE / HEADED PUNCH WITH EJECTOR / SCHNEIDSTEMPEL MIT ABSTOSSER 10 90                         | 1*OPTION |
| 011  | <b>093J_M2.400.100</b>        | PUNZONE TC CON ESPULSORE / HEADED PUNCH WITH EJECTOR / SCHNEIDSTEMPEL MIT ABSTOSSER 10 100                        | 1*OPTION |
| 012  | <b>9003.0001</b>              | SENSORE DI SICUREZZA / SECURITY SENSOR / SENSOR FÜR SICHERHEIT  | 1*OPTION |
| 013  | <b>9016.090.040.001</b>       | PREMILAMIERA CORTO / SHORT BLANKHOLDER / KURZ BLECHHALTER 90MM  | 1*CHOOSE |
| 013  | <b>9016.090.040.002</b>       | PREMILAMIERA LUNGO / LONG BLANKHOLDER / LANG BLECHHALTER 90MM   | 1*CHOOSE |
| 013  | <b>9016.100.040.001</b>       | PREMILAMIERA CORTO / SHORT BLANKHOLDER / KURZ BLECHHALTER 100MM   | 1*CHOOSE |
| 013  | <b>9016.100.040.002</b>       | PREMILAMIERA LUNGO / LONG BLANKHOLDER / LANG BLECHHALTER 100MM  | 1*CHOOSE |
| 013  | <b>8016.090.040.001</b>       | PREMILAMIERA CORTO / SHORT BLANKHOLDER / KURZ BLECHHALTER 90MM  | 1*OPTION |
| 013  | <b>8016.090.040.002</b>       | PREMILAMIERA LUNGO / LONG BLANKHOLDER / LANG BLECHHALTER 90MM   | 1*OPTION |
| 013  | <b>8016.100.040.001</b>       | PREMILAMIERA CORTO / SHORT BLANKHOLDER / KURZ BLECHHALTER 100MM   | 1*OPTION |
| 013  | <b>8016.100.040.002</b>       | PREMILAMIERA LUNGO / LONG BLANKHOLDER / LANG BLECHHALTER 100MM  | 1*OPTION |
| 015  | <b>9007.08.030.129.1.4762</b> | VITE / SCREW / SCHRAUBE M8X30   | 4        |
| 016  | <b>9004.2680.001</b>          | SEGER / SEGER / SEEGERRING  | 1        |
| 017  | <b>9007.08.055.129.1.4762</b> | VITE / SCREW / SCHRAUBE M8X55   | 4        |
| 018  | <b>9028.06.020.8735</b>       | SPINA CILINDRICA / DOWEL PIN / ZYLINDERSTIFT D6X20  | 2        |
| 019  | <b>8012.1250.0580.100.003</b> | PIASTRA DI SCORRIMENTO / WEAR PLATE / DRUCKPLATTE   | 1        |
| 020  | <b>9012.1250.0580.100.001</b> | PIASTRA DI SCORRIMENTO / WEAR PLATE / DRUCKPLATTE   | 2        |
| 021  | <b>9007.10.020.129.1.9327</b> | VITE / SCREW / SCHRAUBE M10X20  | 6        |

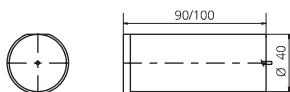
FORZA INIZIALE DI ESTRAZIONE / INITIAL EXTRACTION FORCE **1880 daN** SFORZO MAX TRANCIO **17000 daN**  
 RÜCKZUGSKRAFT / FORCE INITIALE D'EXTRACTION  
 FORZA FINALE DI ESTRAZIONE / FINAL FORCE OF EXTRACTION **4100 daN** CUTTING MAX FORCE  
 ENDKRAFT DER EXTRAKTION / FORCE FINALE D'EXTRACTION MAXIMALE SCHNITTKRAFT  
 EFFORT MAXI DÉCOUPE



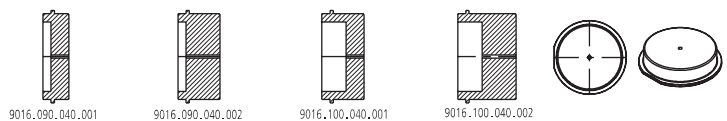
| $\alpha^\circ$ | PRESS STROKE | A      | B    | C    | D      | E   | F   | G   | H  | I  | L  | M    | N  |
|----------------|--------------|--------|------|------|--------|-----|-----|-----|----|----|----|------|----|
| 5°             | 20.1         | 165.85 | 74.9 | 87   | 155.1  | 136 | 56  | 95  | 75 | 41 | 43 | 23   | 90 |
| 10°            | 20.3         | 166.85 | 66.9 | 80   | 156.35 | 136 | 56  | 95  | 75 | 41 | 43 | 23   | 90 |
| 15°            | 20.7         | 167.35 | 59.9 | 73   | 166.65 | 136 | 51  | 95  | 75 | 41 | 38 | 23   | 90 |
| 20°            | 21.3         | 178.35 | 50.9 | 80.5 | 168.2  | 125 | 76  | 105 | 65 | 41 | 43 | 17.5 | 90 |
| 25°            | 22.05        | 177.35 | 43.9 | 71.5 | 166.95 | 125 | 76  | 105 | 65 | 41 | 38 | 17.5 | 90 |
| 30°            | 23.1         | 186.35 | 36.9 | 72.5 | 180.5  | 125 | 90  | 115 | 65 | 41 | 43 | 17.5 | 90 |
| 35°            | 24.4         | 185.35 | 26.9 | 71   | 189.9  | 116 | 96  | 115 | 65 | 41 | 43 | 23   | 70 |
| 40°            | 26.1         | 182.35 | 19.9 | 64.5 | 200.55 | 115 | 106 | 115 | 65 | 41 | 38 | 22.5 | 70 |
| 45°            | 28.3         | 180.35 | 8.9  | 59.5 | 211.7  | 105 | 116 | 115 | 65 | 37 | 35 | 17.5 | 70 |
| 50°            | 31.1         | 176.35 | -1.1 | 48.5 | 215.55 | 105 | 125 | 115 | 56 | 37 | 35 | 17.5 | 70 |

\* PER INCLINAZIONI FUORI STANDARD RIVOLGERSI ALL'UFFICIO TECNICO NEWSTARK / \* FOR NON-STANDARD INCLINATIONS, PLEASE CONTACT NEWSTARK TECHNICAL OFFICE.  
 / \* FÜR NICHT STANDARDMÄSSIGE NEIGUNGEN WENDEN SIE SICH BITTE AN DAS TECHNISCHE BÜRO VON NEWSTARK

0011 (9090) PUNZONE SBOZZATO / BLANK PUNCH / ROHLING SCHNEIDSTEMPEL ISO8020



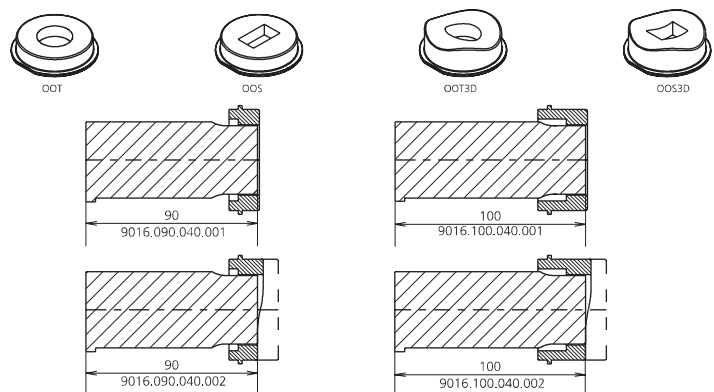
013 (9016) PREMILAMIERA SBOZZATO / BLANK-BLANKHOLDER / ROHLING BLECHHALTER



011 (093J\_) PUNZONE SAGOMATO / SHAPED PUNCH / GEFORMT SCHNEIDSTEMPEL ISO8020



013 (8016) PREMILAMIERA SAGOMATO / SHAPED BLANKHOLDER / GEFORMT BLECHHALTER



012 (9003) SENSORE / SENSOR / SENSOR



12 PATENT PENDING

MODELLO D'ORDINE / ORDER EXAMPLE / BESTELLBEISPIEL / MODÈLE DE COMMANDE

MODEL **0148.1880** INCLINATION **+10°** BLANKHOLDER **9016/8016.** \_\_\_\_\_ OPTION CODE **9003.0001**