

**ESSEMEC**  
INNOVATIVE DIES SOLUTIONS

**newstark**  
INNOVATIVE METAL SOLUTIONS

## ***CONVEYOR BELT***



**CE**

## **Use and maintenance handbook**



### **SUMMARY**

This manual is to be considered part of the product. Please read this manual before beginning any activity, because it contains useful information for proper use and functioning of the product. The topics in this manual are valid for all products made from Essemec Unipersonale Srl. Before using this product you must read it .



---

INTRODUCTION .....2

NORMATIVE REFERENCES.....2

TECHNICAL FEATURES OF THE PRODUCT.....3

USE CONDITIONS.....4

USE INSTRUCTIONS.....4

MAINTENANCE .....6

    Ordinary maintenance .....6

    Extraordinary maintenance .....6

DISMANTLING.....6

    Putting out service .....6

    Disassembly.....6

    Scrapping.....6

TRANSPORT.....6

PUTTING INTO SERVICE .....6

WARRANTY.....7

WARRANTY EXCLUSIONS.....7

TABLE FOR ACKNOWLEDGEMENT.....8

MANUFACTURER'S DATA.....8

**INTRODUCTION**

This manual contains information and all details thought necessary for knowledge, proper use and routine maintenance of *CONVEYOR BELT*.

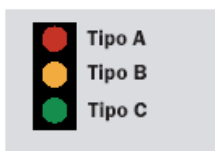
Failure to follow the instructions contained in this manual shall invalidate the Manufacturer's machine warranty.

For any repairs or overhauling requiring fairly complex operations, always directly contact ESSEMEC.

## NORMATIVE REFERENCES

The machine forming the subject of this manual have been built in conformity with the following directives:

1. Machine directive 2006/42/EC
2. Low Voltage Directive 2014-35-UE
3. Electromagnetic Compatibility Directive 2014-30-UE



Essemec Srl Unipersonale reserves the right to make technical changes to the CONVEYOR BELT without prior notice.

When carrying out maintenance jobs, always follow the instructions of this Service Manual.

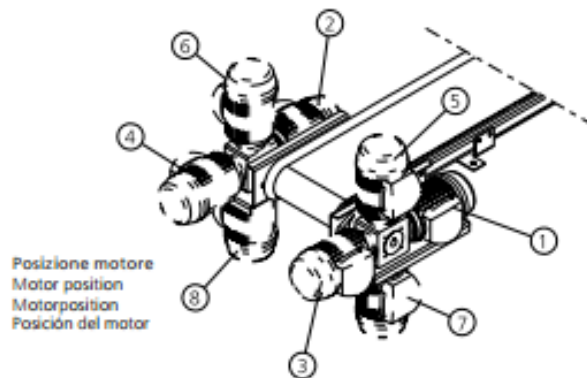
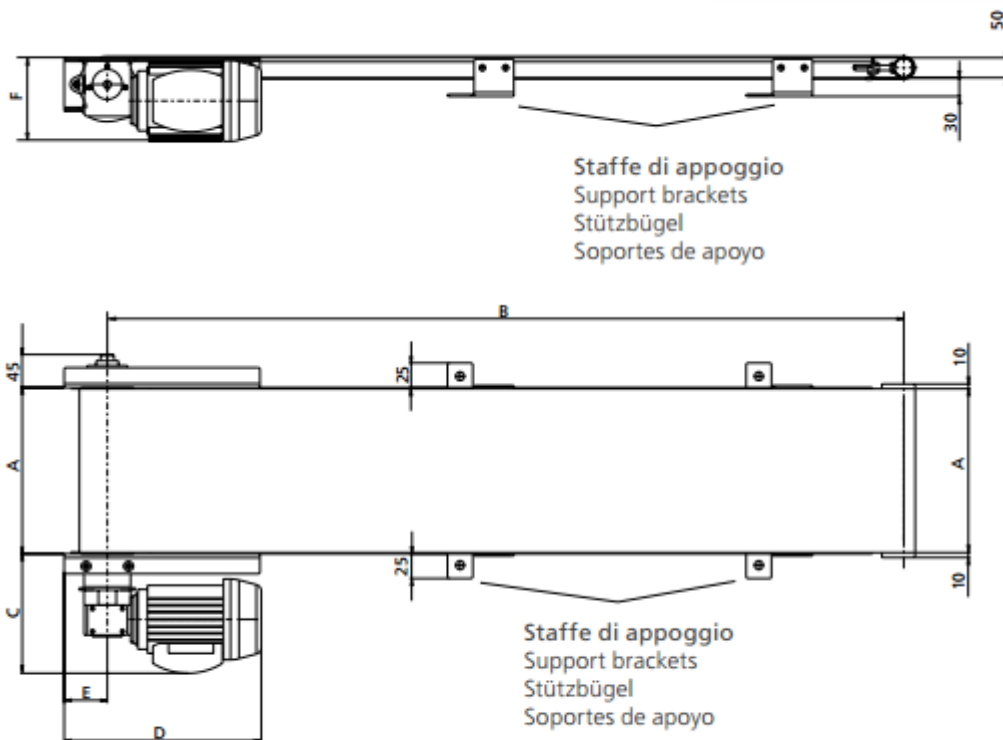
## GENERAL PRECAUTIONS



The technical information contained in this manual is exclusive property of Essemec Unipersonale Srl.

Any reprint or publishing of this manual is banned without the written authorization of Essemec Srl Unipersonale.

## TECHNICAL FEATURES OF THE PRODUCT



MOTORE - MOTOR MOTOR - MOTOR	C	D	E	F
BOX 25	180	300	65	130
BOX 30	195	310	70	130
BOX 40	200	325	70	150

Length	From 500 to 3000 mm
Width	From 30 to 600 mm
Engine	Kw da 0,09 a 0,18 380V 50Hz
Structure	Steel
Weight	Variable according to the dimensions

---

## USE CONDITIONS

The conveyor belt is used to dump the scraps from the cutting dies, in the collection of forged parts, both metallic and plastics and in the connection of several presses in the die line.

## USE INSTRUCTIONS

To correctly use the conveyor belt, the following rules must be followed:

### STEP 0: SAFETY

The operator who has to use the conveyors belts must always wear personal protective equipment both while working and during maintenance.



Wear suitable work gear



Wear protective gloves



Wear accident-prevention shoes

1. The product is created to work in appropriate environments at temperature between 0 and 40° C;
2. Do not allow the staff to use the product without authorization;
3. Do not operate if the product presents any mechanical failure;
4. Do stop the product in case of strange noises or malfunctions;
5. It is prohibited to tamper with in the product;
6. It is prohibited to open the product;
7. It is prohibited the use for unskilled staff;
8. Keep away from children.



It is suggested to equip the working staff with a first aid kit.

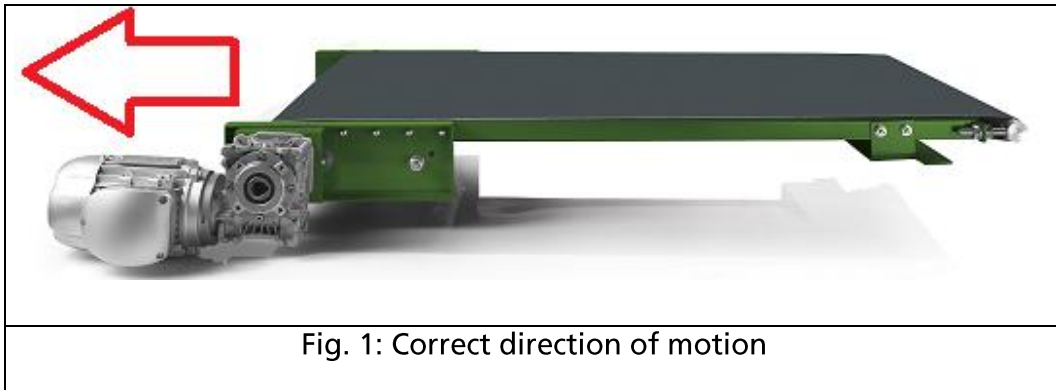
**Every modification not authorized from the constructor, that could alter the regular functionality, modifying the risks and/or generating some additional ones, will be complete responsibility of who will execute such malfunction.**

### STEP 1: POWER MOTOR

Powering motor with a voltage of 380 V 50 Hz three-phase, in compliance with current regulations regarding the components and electrical systems.

### STEP 2: ENSURING

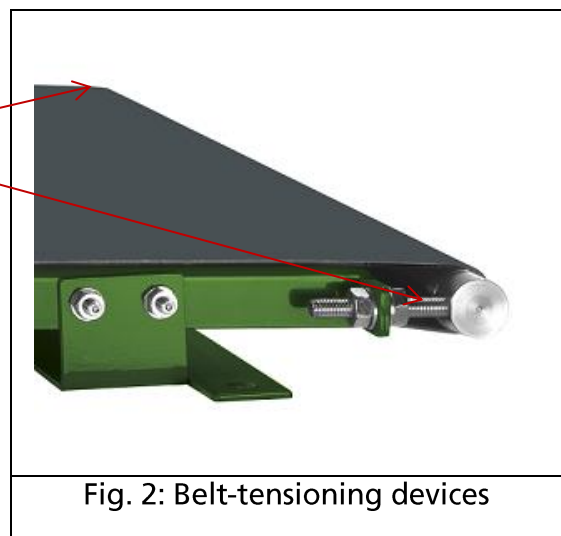
Ensure that the direction of motion is the one specified by the manufacturer.



### STEP 3: LOOSENING OF THE CARPET

In case of loosening of the carpet, act equally on the two belt-tensioning devices placed at the end of the frame.

Belt-tensioning devices- one in each side



---

## MAINTENANCE

### Ordinary maintenance

For the ordinary maintenance, we suggest to:

1. Regularly, keep clean the carpet and the frame. Any product deposit can cause inconvenience to the correct functioning of the belt;
2. Regularly check the functioning of the geared motor, both electrical and mechanical, with its proper control of lubrication;
3. Periodically check the integrity of the carpet, any breakage or early interjected obstacles, compromise the proper functioning and the duration of the belt,
4. When occurs anomalies do a timely intervention with a control and eventual recovery, do not let the problem becomes bigger affecting the proper functioning of the machine.

### Extraordinary maintenance

Special maintenance comprehends all those operations that must be executed from highly qualified staff, that means only by the Manufacturing company. These operations are not planned and usually appear in situations of breakdowns and breaks.

## DISMANTLING

### Putting out service

- ✓ Switch off
- ✓ Remove the power source

### Disassembly

Please differentiate the material of the product as follows:

- ✓ Metallic parts
- ✓ Plastics
- ✓ Electrical parts

### Scrapping

Please, dispose of the waste according to the CE regulation or the one in force in your country.

## TRANSPORT

The manufacturer takes care of the delivery and the transport of the product, with a suitable packing and confectioning that conserve the technical features of the material.

## PUTTING INTO SERVICE

The putting into service of the product can be simply and directly executed from the purchaser according to the instructions of use over exposed.



---

## WARRANTY

This commercial warranty is extended till 12 months, from the purchase date.

Replacements made under warranty shall not result in any change to the warranty period. The warranty covers material and manufacturing defects affecting the operation of the product and which make it unsuitable for the use for which it was intended, as long as these are promptly reported, in any case no more than 2 days from their discovery. Our services under warranty are strictly subject to the purchaser having fulfilled all its obligations up until the date the claim is made and the subsequent date the jobs are done under warranty.

In case that the nature of the defect is such to need the repair in place, all travel, board and lodging costs, local transports, salary and transfer of our staff will be debited to the customer and calculated basing on the rates of the enforced tables.

Please control, therefore, the product at the moment of the delivery, in order to verify eventual damages caused by the transport. Claims or annulment must be advanced to "Essemec Srl Unipersonale" in writing form, within 14 days from the delivery date.

## WARRANTY EXCLUSIONS

The warranty shall be invalidated in the following cases:

- 1) If a positioning error occurs attributable to the operator.
- 2) If the instructions provided in this manual have not been followed.
- 3) The warranty does not cover damage caused by negligence, carelessness, bad or incorrect use of the support.



