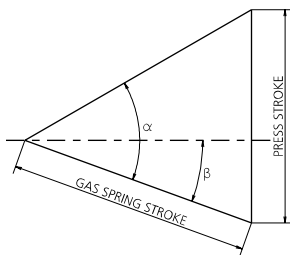
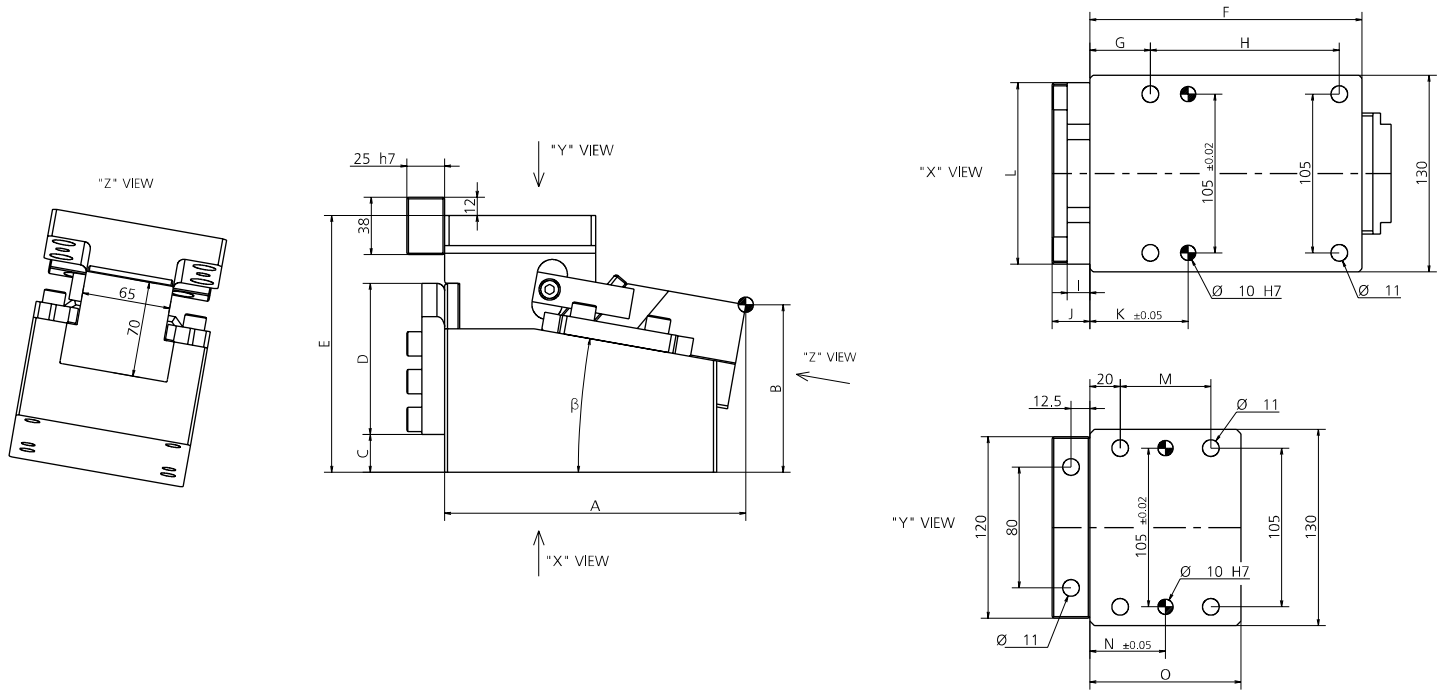


POS.	DESCRIPTION	Q.TY
001	CORPO CAMMA / CAM BODY / GRUNDGEHÄUSE	1
002	SLITTA / SLIDER / LAGERKEIL	1
003	CUNEO / WEDGE / DRUCKKEIL	1
004	STAFFA DI AGGANCIO / BRACKET ATTACHMENTS / BRACKETBEFESTIGUNG	1
005	PIASTRA DI SCORRIMENTO / WEAR PLATE / DRUCKPLATTE	1
006	PIASTRA DI SCORRIMENTO / WEAR PLATE / DRUCKPLATTE	1
007	PIASTRA DI SCORRIMENTO / WEAR PLATE / DRUCKPLATTE	2
008	PIASTRA DI SCORRIMENTO / WEAR PLATE / DRUCKPLATTE	1

POS.	DESCRIPTION	Q.TY
009	PIASTRINA / PLATE / PLATTE	1
010	CHIAVETTA / KEY / SCHLÜSSEL	1
011	VITE / SCREW / SCHRAUBE M10X30	10
012	VITE / SCREW / SCHRAUBE M8X20	1
013	VITE / SCREW / SCHRAUBE M8X20	4
014	VITE / SCREW / SCHRAUBE M8X16	2
015	MOLLA / SPRING / FEDER	2
016	PERNO / PIN / STIFT	2



CODE	β	α	CAM STROKE	PRESS STROKE	EXTRACTION FORCE (DAN)	CUTTING FORCE (DAN)
0152.0640-00	0°	45°	40	40	79	4400
0152.0660-00	0°	45°	60	60	80	4400
0152.0645-05	5°	60°	45	67.94	78	4800
0152.0670-05	5°	60°	70	105.69	102	4800
0152.0645-10	10°	60°	45	60.63	78	4800
0152.0670-10	10°	60°	70	94.31	102	4800
0152.0645-15	15°	60°	45	55.11	78	4800
0152.0670-15	15°	60°	70	85.73	102	4800
0152.0645-20	20°	60°	45	50.87	78	4800
0152.0670-20	20°	60°	70	79.14	102	4800



CODE	β	A	B	C	D	E	F	G	H	I	J	K	L	M	N	O
0152.0640-00	0°	140	115	25	80	160	145	30	100	12	27	80	130	60	50	100
0152.0660-00	0°	190	115	25	80	160	180	40	125	12	22	105	130	70	55	110
0152.0645-05	5°	150.55	112.1	12.5	100	160	145	30	100	15	25	80	120	60	50	100
0152.0670-05	5°	195.38	123.17	25	100	170	180	40	125	15	25	65	120	60	50	100
0152.0645-10	10°	154.95	108.76	20	100	160	145	30	100	15	25	79	120	60	50	100
0152.0670-10	10°	199.27	110.94	25	100	170	180	40	125	15	25	65	120	60	50	100
0152.0645-15	15°	158.18	105.09	25	100	170	145	30	100	15	25	80	120	60	50	100
0152.0670-15	15°	201.64	103.44	40	100	170	180	40	125	15	25	65	120	70	55	110
0152.0645-20	20°	160.2	101.19	30	100	170	145	30	100	15	25	80	120	60	50	100
0152.0670-20	20°	202.48	95.79	40	100	170	180	40	125	15	25	65	120	70	55	110