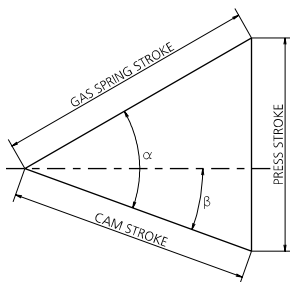
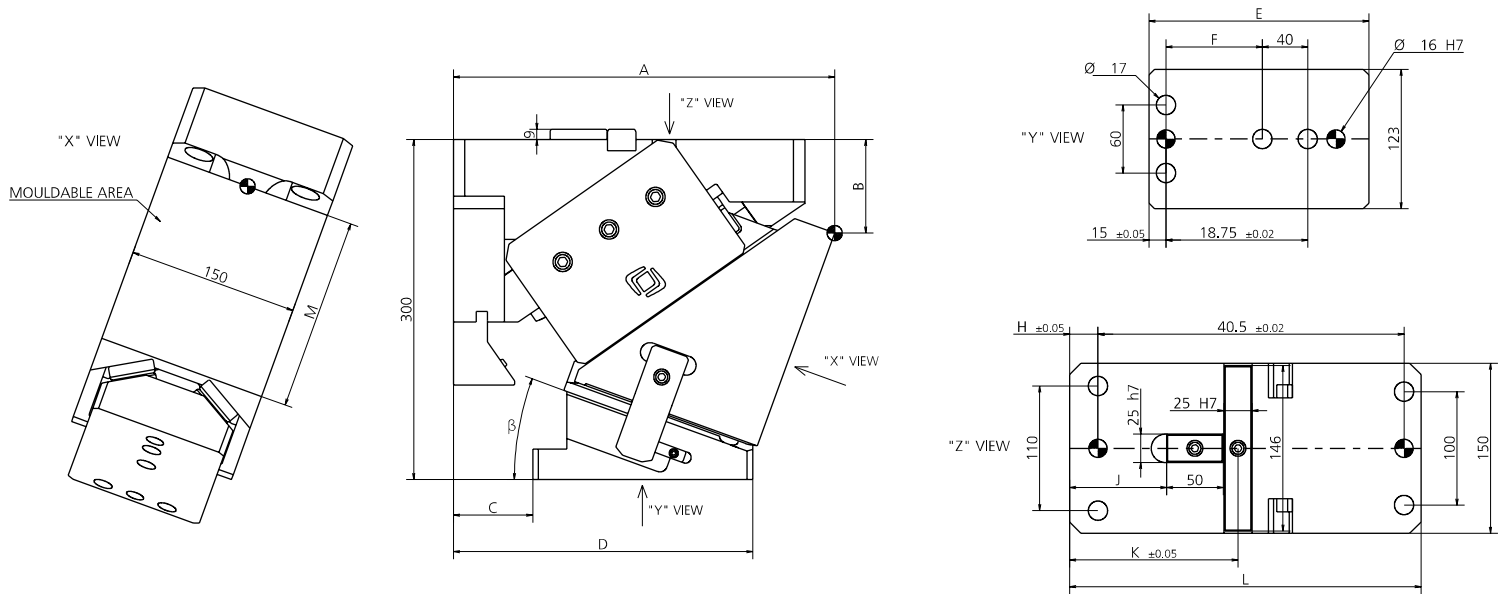


POS.	DESCRIPTION	Q.TY
001	CUNEO / WEDGE / DRUCKKEIL	1
002	SLITTA / SLIDER / LAGERKEIL	1
003	CORPO CAMMA / CAM BODY / GRUNDGEHÄUSE	1
004	STAFFA DI AGGANCIO / BRACKET ATTACHMENTS / BRACKETBEFESTIGUNG	2
005	PIASTRINA / PLATE / PLATTE	1
006	DISTANZIALE / SPACER / ABSTANDSHALTER	1
007	STAFFA / BRACKET / BRACKET	2
008	CHIAVETTA / KEY / SCHLÜSSEL	1
009	FINECORSA / LIMIT SWITCHES / ENDSCHALTER	1
010	PIASTRA DI SCORRIMENTO / WEAR PLATE / DRUCKPLATTE	2

POS.	DESCRIPTION	Q.TY
011	CILINDRO AD AZOTO / NITROGEN CYLINDER / STICKSTOFFZYLINDER	1
012	PUNTALINO / BUMP STOP / STOSSDÄMPFERSPITZE	2
013	SENSORE DI SICUREZZA / SECURITY SENSOR / SENSOR FÜR SICHERHEIT	1*OPTION
014	PIASTRA DI SCORRIMENTO / WEAR PLATE / DRUCKPLATTE	2
015	CHIAVETTA / KEY / SCHLÜSSEL	1
016	FINECORSA / LIMIT SWITCHES / ENDSCHALTER	1
017	PIASTRA DI SCORRIMENTO / WEAR PLATE / DRUCKPLATTE	2
018	PIASTRA DI SCORRIMENTO / WEAR PLATE / DRUCKPLATTE	2
019	CHIAVETTA / KEY / SCHLÜSSEL	2
020	FINECORSA / LIMIT SWITCHES / ENDSCHALTER	1



β	α	PRESS STROKE	GAS SPRING STROKE	CAM STROKE	EXTRACTION FORCE (DAN)	CUTTING FORCE (DAN)
0°	50°	38.3	50	32.14	1640	42100
5°	50°	38.45	50	35.49	1640	43500
10°	55°	41.59	50	35.9	1750	44800
15°	55°	42.4	50	39.65	1750	46200
20°	55°	43.59	50	43.59	1750	47600
25°	60°	47.78	50	45.19	1840	48900
30°	60°	50	50	50	1840	50300
35°	65°	55.32	50	52.86	1920	51700
40°	65°	59.16	50	59.16	1920	52800
45°	70°	66.45	50	64.09	1980	54000
50°	70°	73.1	50	73.1	1980	55100
55°	75°	84.2	50	81.92	2030	55800
60°	75°	96.59	50	96.59	2030	56500
65°	80°	93.21	40	91.42	2050	57100
70°	85°	87.38	30	84.73	2070	57800
75°	85°	76.98	20	76.1	2060	58400



CODE	β	A	B	C	D	E	F	G	H	I	J	K	L	M
0150.0150-00	0°	298	65	70	290	220	85	150	25	270	54	117	310	160
0150.0150-05	5°	307.2	69.35	70	280	210	85	150	25	270	61.5	124.5	310	160
0150.0150-10	10°	317.28	69.58	70	270	200	85	150	25	270	69	132	310	180
0150.0150-15	15°	326.88	75.64	70	265	195	85	150	25	270	78	141	310	180
0150.0150-20	20°	336.35	82.53	70	264	194	85	150	25	270	85.5	148.5	310	180
0150.0150-25	25°	355.61	90.23	60	262	202	105	170	15	320	104.5	167.5	350	190
0150.0150-30	30°	367.11	99.41	60	259	199	105	170	15	320	112	175	350	190
0150.0150-35	35°	381.87	105.72	60	261	201	105	170	15	320	119.5	182.5	350	190
0150.0150-40	40°	391.15	121.53	60	257	197	105	170	15	320	127	190	350	190
0150.0150-45	45°	346.97	131.05	20	202	182	85	150	15	310	73	136	340	190
0150.0150-50	50°	355.7	149.03	20	199	179	85	150	15	310	79	142	340	190
0150.0150-55	55°	371.89	162	20	206	186	85	150	15	310	64.5	127.5	340	190
0150.0150-60	60°	379.57	182.11	20	203	183	85	150	15	310	71.5	134.5	340	190
0150.0150-65	65°	386.34	192.84	20	203	183	85	150	15	310	71.5	134.5	340	190
0150.0150-70	70°	362.45	215.84	0	168	168	70	135	15	310	71.5	134.5	340	190
0150.0150-75	75°	367.13	227.17	0	167	167	70	135	15	310	71.5	134.5	340	190

13 PATENT PENDING

13 (9003) SENSORE / SENSOR / SENSOR



MODELLO D'ORDINE / ORDER EXAMPLE / BESTELLBEISPIEL / MODÈLE DE COMMANDE

MODEL **0150.0150** INCLINATION **-10°** OPTION CODE **9003.0002**