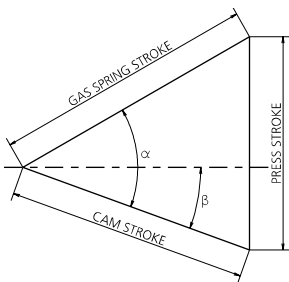
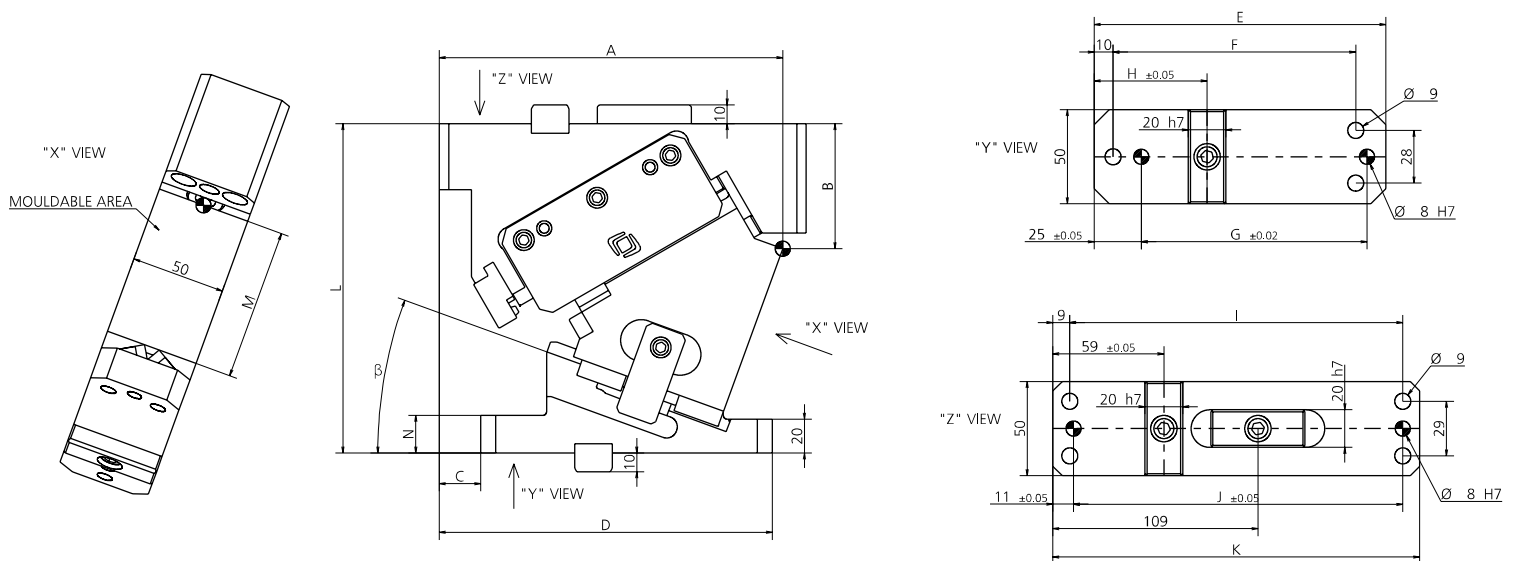


POS.	DESCRIPTION	Q.TY
001	CUNEO / WEDGE / DRUCKKEIL	1
002	SLITTA / SLIDER / LAGERKEIL	1
003	CORPO CAMMA / CAM BODY / GRUNDGEHÄUSE	1
004	STAFFA DI AGGANCO / BRACKET ATTACHMENTS / BRACKETBEFESTIGUNG	2
005	PIASTRINA / PLATE / PLATTE	1
006	DISTANZIALE / SPACER / ABSTANDSHALTER	1
007	STAFFA / BRACKET / BRACKET	2
008	CHIAVETTA / KEY / SCHLÜSSEL	3

POS.	DESCRIPTION	Q.TY
009	PIASTRA DI SCORRIMENTO / WEAR PLATE / DRUCKPLATTE	2
010	PIASTRA DI SCORRIMENTO / WEAR PLATE / DRUCKPLATTE	2
011	CILINDRO AD AZOTO / NITROGEN CYLINDER / STICKSTOFFZYLINDER	1
012	PUNTALINO / BUMP STOP / STOSSDÄMPFERSPITZE	2
013	SENSORE DI SICUREZZA / SECURITY SENSOR / SENSOR FÜR SICHERHEIT	1*OPTION
014	PIASTRINA / PLATE / PLATTE	1
015	PIASTRINA / PLATE / PLATTE	1
016	FINECORSA / LIMIT SWITCHES / ENDSCHALTER	1



β	α	PRESS STROKE	GAS SPRING STROKE	CAM STROKE	EXTRACTION FORCE (DAN)	CUTTING FORCE (DAN)
0°	50°	34.47	45	28.9	450	9200
5°	50°	34.6	45	31.9	480	9200
10°	50°	35.00	45	35	480	9200
15°	50°	35.69	45	38.2	480	9200
20°	50°	36.68	45	41.5	480	9200
25°	50°	38.04	45	45	480	9200
30°	50°	39.8	45	48.8	480	9200
35°	50°	42.08	45	53.1	480	9200
40°	50°	45	45	57.8	480	9200
45°	50°	48.75	45	63.4	480	9200
50°	50°	47.67	40	62.2	460	9200
55°	55°	48.56	34	59.3	470	9800
60°	60°	51.96	30	60	510	10400
65°	65°	53.61	25	59.2	530	11000
70°	70°	54.95	20	58.5	570	11000
75°	75°	55.98	15	58	610	11000



CODE	β	A	B	C	D	E	F	G	H	I	J	K	L	M	N
0150.0050-00	0°	170	52	38	193	155	129	120	50	162	160	180	175	75	20
0150.0050-05	5°	174.32	55.46	35	190	155	129	120	50	167	165	185	175	75	20
0150.0050-10	10°	178.53	59.85	32	187	155	129	120	50	172	170	190	175	75	20
0150.0050-15	15°	181.6	63.16	28	183	155	129	120	50	177	175	195	175	75	20
0150.0050-20	20°	182.58	66.39	22	177	155	129	120	50	177	175	195	175	75	20
0150.0050-25	25°	182.45	69.53	16	171	155	129	120	50	177	175	195	175	75	20
0150.0050-30	30°	183.22	72.56	10	165	155	129	120	50	179	177	197	175	75	20
0150.0050-35	35°	181.91	75.48	3	158	155	129	120	50	179	177	197	175	75	20
0150.0050-40	40°	179.52	79.29	-9	146	155	129	120	50	179	177	197	175	75	20
0150.0050-45	45°	176.07	81.97	-18	137	155	129	120	50	177	175	195	175	75	20
0150.0050-50	50°	165.56	90.53	-33	122	155	129	120	50	172	170	190	180	75	20
0150.0050-55	55°	172.38	94.85	-39	116	155	129	120	35	172	170	190	185	80	80
0150.0050-60	60°	178	101.56	-49	106	155	129	120	35	172	170	190	190	90	80
0150.0050-65	65°	173.81	111.87	-53	92	145	119	110	35	172	170	190	195	95	80
0150.0050-70	70°	171.65	123.05	-63	72	135	109	100	35	172	170	190	195	105	90
0150.0050-75	75°	170.25	132.82	-68	67	135	109	100	35	172	170	190	195	105	90

13 PATENT PENDING

13 (9003) SENSORE / SENSOR / SENSOR



MODELLO D'ORDINE / ORDER EXAMPLE / BESTELLBEISPIEL / MODÈLE DE COMMANDE

MODEL **0150.0050** INCLINATION **-10°** OPTION CODE **9003.0002**