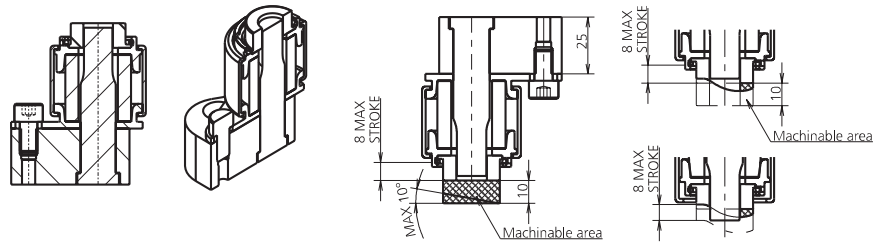


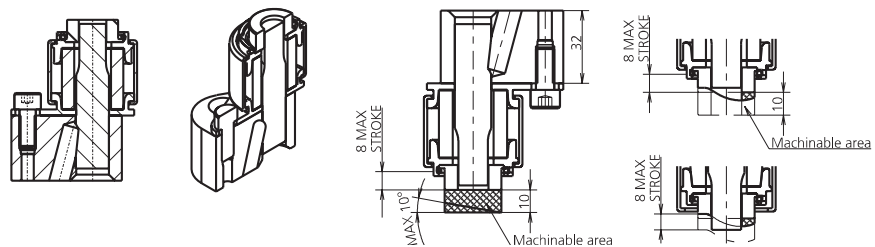
# STARK STRIPPERS

COMBINAZIONI D'ORDINE STARK-STRIP + TESTINE / ORDER SCHEMES STARK-STRIP + HEADS  
MÖGLICHE BESTELLKOMBINATIONEN STARK-STRIP + KÖPFE / COMBINAISONS D'ORDRE STARK-STRIP + TÊTES



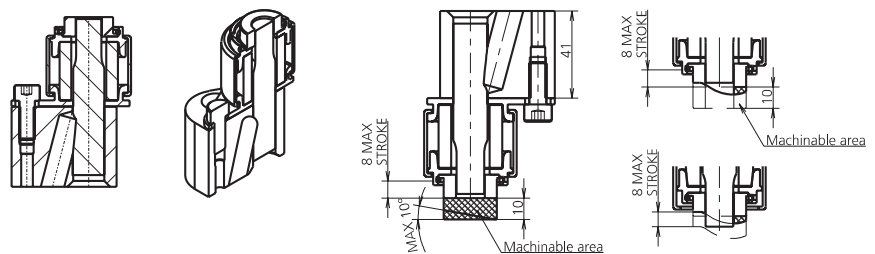
## TESTA CILINDRICA / HEADED PUNCHES / ZYLINDRISCHEM KOPF / TÊTE CYLINDRIQUE

Ø	PUNCH'S LENGTH			
	70/71	80	90	100
10	1101.0010 + 8058.1010. ...	1101.0010 + 8058.1020. ...	1101.0010 + 8058.1030. ...	1101.0010 + 8058.1040. ...
13	1101.0013 + 8058.1310. ...	1101.0013 + 8058.1320. ...	1101.0013 + 8058.1330. ...	1101.0013 + 8058.1340. ...
16	1101.0016 + 8058.1610. ...	1101.0016 + 8058.1620. ...	1101.0016 + 8058.1630. ...	1101.0016 + 8058.1640. ...
20	1101.0020 + 8058.2010. ...	1101.0020 + 8058.2020. ...	1101.0020 + 8058.2030. ...	1101.0020 + 8058.2040. ...
25	1101.0025 + 8058.2510. ...	1101.0025 + 8058.2520. ...	1101.0025 + 8058.2530. ...	1101.0025 + 8058.2540. ...
32	1101.0032 + 8058.3210. ...	1101.0032 + 8058.3220. ...	1101.0032 + 8058.3230. ...	1101.0032 + 8058.3240. ...
40	1101.0040 + 8058.4010. ...	1101.0040 + 8058.4020. ...	1101.0040 + 8058.4030. ...	1101.0040 + 8058.4040. ...



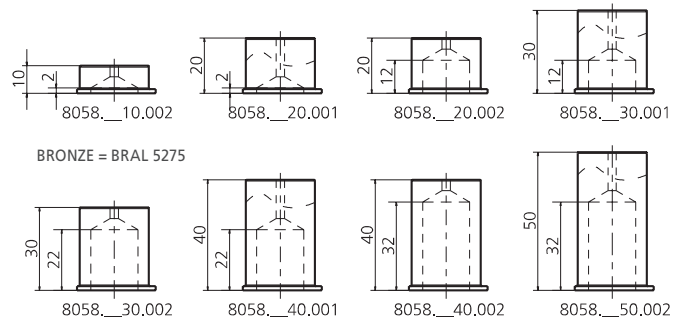
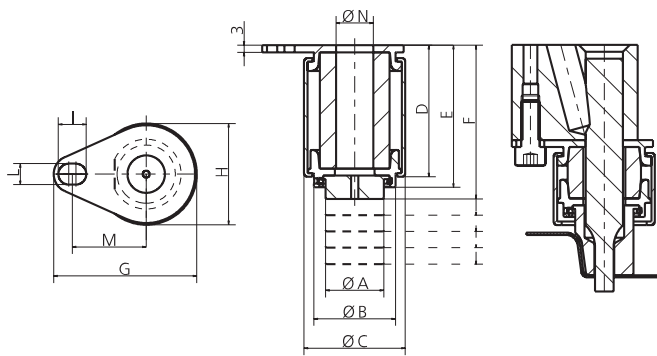
## BALLOCK LIGHT DUTY

Ø	PUNCH'S LENGTH			
	70/71	80	90	100
10	1101.0010 + 8058.1010. ...	1101.0010 + 8058.1020. ...	1101.0010 + 8058.1030. ...	1101.0010 + 8058.1040. ...
13	1101.0013 + 8058.1310. ...	1101.0013 + 8058.1320. ...	1101.0013 + 8058.1330. ...	1101.0013 + 8058.1340. ...
16	1101.0016 + 8058.1610. ...	1101.0016 + 8058.1620. ...	1101.0016 + 8058.1630. ...	1101.0016 + 8058.1640. ...
20	1101.0020 + 8058.2010. ...	1101.0020 + 8058.2020. ...	1101.0020 + 8058.2030. ...	1101.0020 + 8058.2040. ...
25	1101.0025 + 8058.2510. ...	1101.0025 + 8058.2520. ...	1101.0025 + 8058.2530. ...	1101.0025 + 8058.2540. ...
32	1101.0032 + 8058.3210. ...	1101.0032 + 8058.3220. ...	1101.0032 + 8058.3230. ...	1101.0032 + 8058.3240. ...
40	1101.0040 + 8058.4010. ...	1101.0040 + 8058.4020. ...	1101.0040 + 8058.4030. ...	1101.0040 + 8058.4040. ...



## BALLOCK HEAVY DUTY

Ø	PUNCH'S LENGTH			
	70/71	80	90	100
10	/	1101.0010 + 8058.1010. ...	1101.0010 + 8058.1020. ...	1101.0010 + 8058.1030. ...
13	/	1101.0013 + 8058.1310. ...	1101.0013 + 8058.1320. ...	1101.0013 + 8058.1330. ...
16	/	1101.0016 + 8058.1610. ...	1101.0016 + 8058.1620. ...	1101.0016 + 8058.1630. ...
20	/	1101.0020 + 8058.2010. ...	1101.0020 + 8058.2020. ...	1101.0020 + 8058.2030. ...
25	/	1101.0025 + 8058.2510. ...	1101.0025 + 8058.2520. ...	1101.0025 + 8058.2530. ...
32	/	1101.0032 + 8058.3210. ...	1101.0032 + 8058.3220. ...	1101.0032 + 8058.3230. ...
40	/	1101.0040 + 8058.4010. ...	1101.0040 + 8058.4020. ...	1101.0040 + 8058.4030. ...



MODEL	Ø PUNCH	Ø A	Ø B	Ø C	D	E	F				G	H	I	L	M	Ø N	MAX STROKE	FORCE daN
							Pun. L=70/71	Pun. L=80	Pun. L=90	Pun. L=100								
1101.0010	10	16	25	33	37	40.5	47	56	66	76	51.5	33	12	9	26.925	10.1	8	200
1101.0013	13	20	34	42	37	41	47	56	66	76	59	42	12	9	30	13.1	8	350
1101.0016	16	25	39	47.5	37	41	47	56	66	76	63.5	47.5	12	9	31.75	16.1	8	400
1101.0020	20	35	45.5	53	37	41.5	47	56	66	76	68	53	12	9	33.5	20.1	8	600
1101.0025	25	44	57.5	67	37	42	47	56	66	76	82	67	12	9	40.65	25.1	8	900
1101.0032	32	44	57.5	67	37	42	47	56	66	76	82	67	12	9	40.65	32.1	8	750
1101.0040	40	48	65	73.5	37	42.5	47	56	66	76	88.5	73.5	12	9	44	40.1	8	750

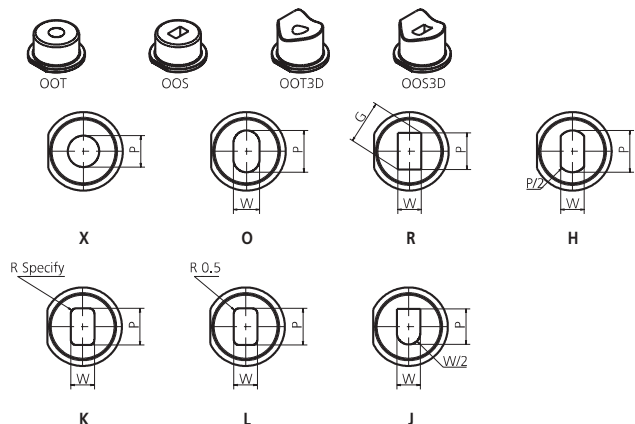
CODE	DESCRIPTION	Q.TY
8058.1010.002	TESTINA SCARICO LUNGO / HEAD LONG RELEASE / LANGBLECHHALTER Ø10X10	1 *CHOOSE
8058.1020.001	TESTINA SCARICO CORTO / HEAD SHORT RELEASE / KURZBLECHHALTER Ø10X20	1 *CHOOSE
8058.1020.002	TESTINA SCARICO LUNGO / HEAD LONG RELEASE / LANGBLECHHALTER Ø10X20	1 *CHOOSE
8058.1030.001	TESTINA SCARICO CORTO / HEAD SHORT RELEASE / KURZBLECHHALTER Ø10X30	1 *CHOOSE
8058.1030.002	TESTINA SCARICO LUNGO / HEAD LONG RELEASE / LANGBLECHHALTER Ø10X30	1 *CHOOSE
8058.1040.001	TESTINA SCARICO CORTO / HEAD SHORT RELEASE / KURZBLECHHALTER Ø10X40	1 *CHOOSE
8058.1040.002	TESTINA SCARICO LUNGO / HEAD LONG RELEASE / LANGBLECHHALTER Ø10X40	1 *CHOOSE
8058.1050.002	TESTINA SCARICO LUNGO / HEAD LONG RELEASE / LANGBLECHHALTER Ø10X50	1 *CHOOSE
8058.1310.002	TESTINA SCARICO LUNGO / HEAD LONG RELEASE / LANGBLECHHALTER Ø13X10	1 *CHOOSE
8058.1320.001	TESTINA SCARICO CORTO / HEAD SHORT RELEASE / KURZBLECHHALTER Ø13X20	1 *CHOOSE
8058.1320.002	TESTINA SCARICO LUNGO / HEAD LONG RELEASE / LANGBLECHHALTER Ø13X20	1 *CHOOSE
8058.1330.001	TESTINA SCARICO CORTO / HEAD SHORT RELEASE / KURZBLECHHALTER Ø13X30	1 *CHOOSE
8058.1330.002	TESTINA SCARICO LUNGO / HEAD LONG RELEASE / LANGBLECHHALTER Ø13X30	1 *CHOOSE
8058.1340.001	TESTINA SCARICO CORTO / HEAD SHORT RELEASE / KURZBLECHHALTER Ø13X40	1 *CHOOSE
8058.1340.002	TESTINA SCARICO LUNGO / HEAD LONG RELEASE / LANGBLECHHALTER Ø13X40	1 *CHOOSE
8058.1350.002	TESTINA SCARICO LUNGO / HEAD LONG RELEASE / LANGBLECHHALTER Ø13X50	1 *CHOOSE
8058.1610.002	TESTINA SCARICO LUNGO / HEAD LONG RELEASE / LANGBLECHHALTER Ø16X10	1 *CHOOSE
8058.1620.001	TESTINA SCARICO CORTO / HEAD SHORT RELEASE / KURZBLECHHALTER Ø16X20	1 *CHOOSE
8058.1620.002	TESTINA SCARICO LUNGO / HEAD LONG RELEASE / LANGBLECHHALTER Ø16X20	1 *CHOOSE
8058.1630.001	TESTINA SCARICO CORTO / HEAD SHORT RELEASE / KURZBLECHHALTER Ø16X30	1 *CHOOSE
8058.1630.002	TESTINA SCARICO LUNGO / HEAD LONG RELEASE / LANGBLECHHALTER Ø16X30	1 *CHOOSE
8058.1640.001	TESTINA SCARICO CORTO / HEAD SHORT RELEASE / KURZBLECHHALTER Ø16X40	1 *CHOOSE
8058.1640.002	TESTINA SCARICO LUNGO / HEAD LONG RELEASE / LANGBLECHHALTER Ø16X40	1 *CHOOSE
8058.1650.002	TESTINA SCARICO LUNGO / HEAD LONG RELEASE / LANGBLECHHALTER Ø16X50	1 *CHOOSE
8058.2010.002	TESTINA SCARICO LUNGO / HEAD LONG RELEASE / LANGBLECHHALTER Ø20X10	1 *CHOOSE
8058.2020.001	TESTINA SCARICO CORTO / HEAD SHORT RELEASE / KURZBLECHHALTER Ø20X20	1 *CHOOSE
8058.2020.002	TESTINA SCARICO LUNGO / HEAD LONG RELEASE / LANGBLECHHALTER Ø20X20	1 *CHOOSE
8058.2030.001	TESTINA SCARICO CORTO / HEAD SHORT RELEASE / KURZBLECHHALTER Ø20X30	1 *CHOOSE
8058.2030.002	TESTINA SCARICO LUNGO / HEAD LONG RELEASE / LANGBLECHHALTER Ø20X30	1 *CHOOSE
8058.2040.001	TESTINA SCARICO CORTO / HEAD SHORT RELEASE / KURZBLECHHALTER Ø20X40	1 *CHOOSE
8058.2040.002	TESTINA SCARICO LUNGO / HEAD LONG RELEASE / LANGBLECHHALTER Ø20X40	1 *CHOOSE
8058.2050.002	TESTINA SCARICO LUNGO / HEAD LONG RELEASE / LANGBLECHHALTER Ø20X50	1 *CHOOSE
8058.2510.002	TESTINA SCARICO LUNGO / HEAD LONG RELEASE / LANGBLECHHALTER Ø25X10	1 *CHOOSE
8058.2520.001	TESTINA SCARICO CORTO / HEAD SHORT RELEASE / KURZBLECHHALTER Ø25X20	1 *CHOOSE
8058.2520.002	TESTINA SCARICO LUNGO / HEAD LONG RELEASE / LANGBLECHHALTER Ø25X20	1 *CHOOSE
8058.2530.001	TESTINA SCARICO CORTO / HEAD SHORT RELEASE / KURZBLECHHALTER Ø25X30	1 *CHOOSE
8058.2530.002	TESTINA SCARICO LUNGO / HEAD LONG RELEASE / LANGBLECHHALTER Ø25X30	1 *CHOOSE
8058.2540.001	TESTINA SCARICO CORTO / HEAD SHORT RELEASE / KURZBLECHHALTER Ø25X40	1 *CHOOSE
8058.2540.002	TESTINA SCARICO LUNGO / HEAD LONG RELEASE / LANGBLECHHALTER Ø25X40	1 *CHOOSE
8058.2550.002	TESTINA SCARICO LUNGO / HEAD LONG RELEASE / LANGBLECHHALTER Ø25X50	1 *CHOOSE
8058.3210.002	TESTINA SCARICO LUNGO / HEAD LONG RELEASE / LANGBLECHHALTER Ø32X10	1 *CHOOSE
8058.3220.001	TESTINA SCARICO CORTO / HEAD SHORT RELEASE / KURZBLECHHALTER Ø32X20	1 *CHOOSE
8058.3220.002	TESTINA SCARICO LUNGO / HEAD LONG RELEASE / LANGBLECHHALTER Ø32X20	1 *CHOOSE

CODE	DESCRIPTION	Q.TY
8058.3230.001	TESTINA SCARICO CORTO / HEAD SHORT RELEASE / KURZBLECHHALTER Ø32X30	1 *CHOOSE
8058.3230.002	TESTINA SCARICO LUNGO / HEAD LONG RELEASE / LANGBLECHHALTER Ø32X30	1 *CHOOSE
8058.3240.001	TESTINA SCARICO CORTO / HEAD SHORT RELEASE / KURZBLECHHALTER Ø32X40	1 *CHOOSE
8058.3240.002	TESTINA SCARICO LUNGO / HEAD LONG RELEASE / LANGBLECHHALTER Ø32X40	1 *CHOOSE
8058.3250.002	TESTINA SCARICO LUNGO / HEAD LONG RELEASE / LANGBLECHHALTER Ø32X50	1 *CHOOSE
8058.4010.002	TESTINA SCARICO LUNGO / HEAD LONG RELEASE / LANGBLECHHALTER Ø40X10	1 *CHOOSE
8058.4020.001	TESTINA SCARICO CORTO / HEAD SHORT RELEASE / KURZBLECHHALTER Ø40X20	1 *CHOOSE
8058.4020.002	TESTINA SCARICO LUNGO / HEAD LONG RELEASE / LANGBLECHHALTER Ø40X20	1 *CHOOSE
8058.4030.001	TESTINA SCARICO CORTO / HEAD SHORT RELEASE / KURZBLECHHALTER Ø40X30	1 *CHOOSE
8058.4030.002	TESTINA SCARICO LUNGO / HEAD LONG RELEASE / LANGBLECHHALTER Ø40X30	1 *CHOOSE
8058.4040.001	TESTINA SCARICO CORTO / HEAD SHORT RELEASE / KURZBLECHHALTER Ø40X40	1 *CHOOSE
8058.4040.002	TESTINA SCARICO LUNGO / HEAD LONG RELEASE / LANGBLECHHALTER Ø40X40	1 *CHOOSE
8058.4050.002	TESTINA SCARICO LUNGO / HEAD LONG RELEASE / LANGBLECHHALTER Ø40X50	1 *CHOOSE

8058 TESTINA SBOZZATA / BLANK HEAD / ROHLING BLECHHALTERKOPF



8058 TESTINA SAGOMATA / SHAPED HEAD / GEFORMT BLECHHALTERKOPF



Attenzione: per sagome speciali, è necessario un disegno 3D del cliente.  
 Attention: In case of special shape, the customer's 3D drawing is necessary.  
 Achtung: Kundenspezifische Profile werden ausschließlich nach Vorlage einer 3D-Zeichnung gefertigt.  
 Attention: pour les formes spéciales, un dessin en 3D du client est nécessaire.  
 Luce per lato / Clearance / Lichtstrahlung auf jeder Seite / Espace par côté: 0,15mm

MODELLO D'ORDINE / ORDER EXAMPLE / BESTELLBEISPIEL / MODÈLE DE COMMANDE

MODEL 1101 DIAMETER PUNCH 0010 OPTION CODE 8058.1010.002

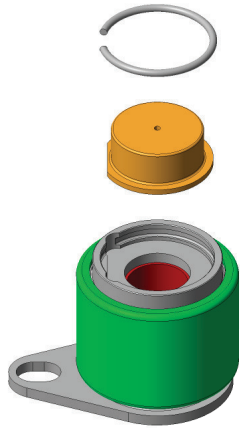


8061.00\_\_ -

**MASCHERA PER LAVORAZIONE DELLA TESTINA**

JIG FOR MACHINING THE STRIPPER HEAD / BAUTEIL FÜR KOPFBEARBEITUNG / GABARIT POUR USINAGE DE LA TÊTE

## SMONTAGGIO / DISASSEMBLY / DEMONTAGE / DÉMONTAGE

**ATTENZIONE**

- Per sagomare la testina:
- rimuoverla dallo stripper;
  - inserirla nel dispositivo;
  - avvitare la ghiera di bloccaggio;
  - posizionare il dispositivo su macchina utensile, elettroerosione o stampo per eseguire la sagoma richiesta;
  - rimontare la testina.

**ATTENTION**

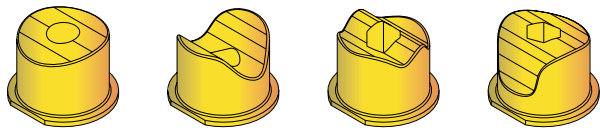
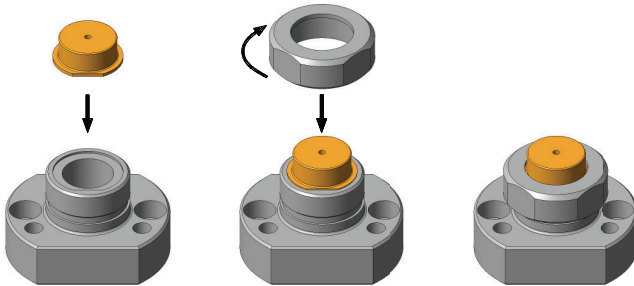
- Pour façonner la tête:
- l'enlever du stripper;
  - l'insérer dans le dispositif;
  - visser la bague de verrouillage;
  - positionner le dispositif sur la machine-outil; l'électroérosion ou l'outil de découpe pour réaliser le gabarit demandé;
  - remonter la tête.

**ATTENTION**

- In order to shape the head:
- remove it from the stripper;
  - insert the head into the special device;
  - tighten the locking ring nut;
  - place the device on the machine staim, EDM or tool plate to perform the required shape;
  - put back together the head with the body.

**ACHTUNG**

- Zum Profilieren bitte folgenden Schritten folgen:
- den Kopf vom Stripper entfernen;
  - den Kopf in die Vorrichtung einsetzen;
  - den Verriegelungsring festschrauben;
  - die Vorrichtung in die Werkzeugmaschine einbauen, Elektroerosion oder Werkzeug zum Profilieren;
  - den Kopf einbauen.



Esempi di testine speciali. / Examples of special heads.  
Beispiel von besonderen Blechhaltern. / Exemples de têtes spéciales.

MODEL	Ø PUNCH
8061.0010	10
8061.0013	13
8061.0016	16
8061.0020	20
8061.0025	25
8061.0032	32
8061.0040	40

MODELLO D'ORDINE / ORDER EXAMPLE / BESTELLBEISPIEL / MODÈLE DE COMMANDE

MODEL **8061** DIAMETER PUNCH **0010**