

0148.6953 - CAM SMEG695-13

FORZA INIZIALE DI ESTRAZIONE / INITIAL EXTRACTION FORCE **695 daN**

RÜCKZUGSKRAFT / FORCE INITIALE D'EXTRACTION

FORZA FINALE DI ESTRAZIONE / FINAL FORCE OF EXTRACTION **1530 daN**

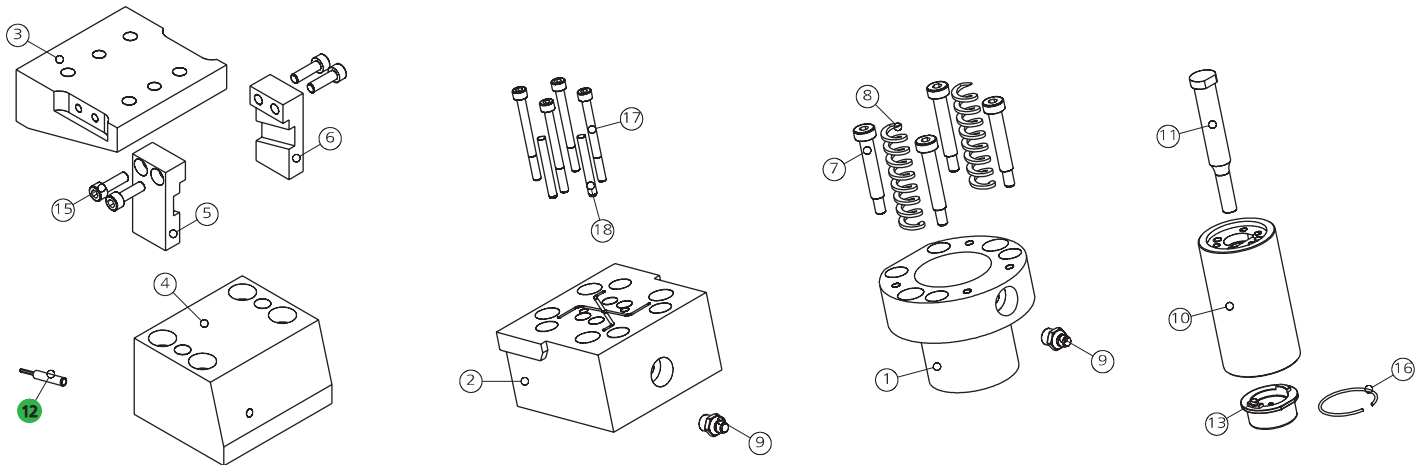
ENDKRAFT DER EXTRAKTION / FORCE FINALE D'EXTRACTION

SFORZO MAX TRANCIO **6000 daN**

CUTTING MAX FORCE

MAXIMALE SCHNITTKRAFT

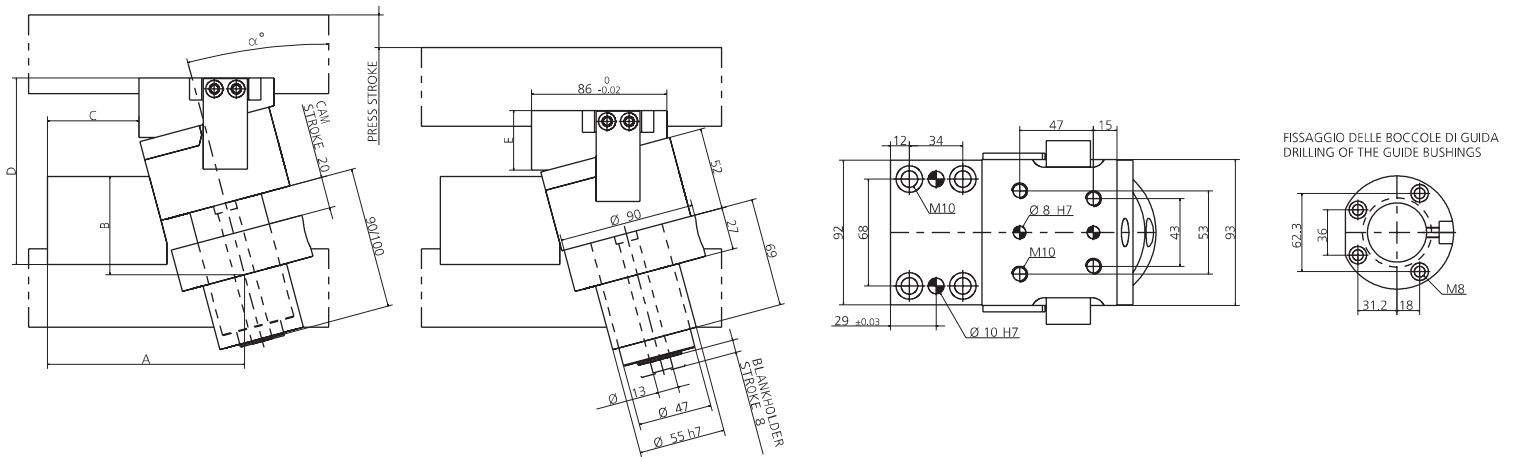
EFFORT MAXI DÉCOUPE



POS.	CODE	DESCRIPTION	Q.TY
001	8013.0690.0900.470.001	BOCCOLA DI GUIDA / GUIDE BUSHINGS / FÜHRUNGSBUCHSE	1
002	8014.0048.0695	PORTA PUNZONE / PUNCHES HOLDER / TRÄGERPLATTE	1
003	8116.4851.0605.05.001	INCUDINE / ANVIL / TREIBER 5°	1*CHOOSE
003	8116.4851.0605.10.001	INCUDINE / ANVIL / TREIBER 10°	1*CHOOSE
003	8116.4851.0605.15.001	INCUDINE / ANVIL / TREIBER 15°	1*CHOOSE
003	8116.4851.0605.20.001	INCUDINE / ANVIL / TREIBER 20°	1*CHOOSE
003	8116.4851.0605.25.001	INCUDINE / ANVIL / TREIBER 25°	1*CHOOSE
003	8116.4851.0605.30.001	INCUDINE / ANVIL / TREIBER 30°	1*CHOOSE
003	8116.4851.0605.35.001	INCUDINE / ANVIL / TREIBER 35°	1*CHOOSE
003	8116.4851.0605.40.001	INCUDINE / ANVIL / TREIBER 40°	1*CHOOSE
003	8116.4851.0605.45.001	INCUDINE / ANVIL / TREIBER 45°	1*CHOOSE
003	8116.4851.0605.50.001	INCUDINE / ANVIL / TREIBER 50°	1*CHOOSE
004	8117.4851.0605.05.001	GUIDA / GUIDE / FÜHRUNG 5°	1*CHOOSE
004	8117.4851.0605.10.001	GUIDA / GUIDE / FÜHRUNG 10°	1*CHOOSE
004	8117.4851.0605.15.001	GUIDA / GUIDE / FÜHRUNG 15°	1*CHOOSE
004	8117.4851.0605.20.001	GUIDA / GUIDE / FÜHRUNG 20°	1*CHOOSE
004	8117.4851.0605.25.001	GUIDA / GUIDE / FÜHRUNG 25°	1*CHOOSE
004	8117.4851.0605.30.001	GUIDA / GUIDE / FÜHRUNG 30°	1*CHOOSE
004	8117.4851.0605.35.001	GUIDA / GUIDE / FÜHRUNG 35°	1*CHOOSE
004	8117.4851.0605.40.001	GUIDA / GUIDE / FÜHRUNG 40°	1*CHOOSE
004	8117.4851.0605.45.001	GUIDA / GUIDE / FÜHRUNG 45°	1*CHOOSE
004	8117.4851.0605.50.001	GUIDA / GUIDE / FÜHRUNG 50°	1*CHOOSE
005	8115.4851.0605.05.001	STAFFA DI AGGANCIAMENTO / BRACKET ATTACHMENTS / BRACKETBEFESTIGUNG 5°	1*CHOOSE
005	8115.4851.0605.10.001	STAFFA DI AGGANCIAMENTO / BRACKET ATTACHMENTS / BRACKETBEFESTIGUNG 10°	1*CHOOSE
005	8115.4851.0605.15.001	STAFFA DI AGGANCIAMENTO / BRACKET ATTACHMENTS / BRACKETBEFESTIGUNG 15°	1*CHOOSE
005	8115.4851.0605.20.001	STAFFA DI AGGANCIAMENTO / BRACKET ATTACHMENTS / BRACKETBEFESTIGUNG 20°	1*CHOOSE
005	8115.4851.0605.25.001	STAFFA DI AGGANCIAMENTO / BRACKET ATTACHMENTS / BRACKETBEFESTIGUNG 25°	1*CHOOSE
005	8115.4851.0605.30.001	STAFFA DI AGGANCIAMENTO / BRACKET ATTACHMENTS / BRACKETBEFESTIGUNG 30°	1*CHOOSE
005	8115.4851.0605.35.001	STAFFA DI AGGANCIAMENTO / BRACKET ATTACHMENTS / BRACKETBEFESTIGUNG 35°	1*CHOOSE
005	8115.4851.0605.40.001	STAFFA DI AGGANCIAMENTO / BRACKET ATTACHMENTS / BRACKETBEFESTIGUNG 40°	1*CHOOSE
005	8115.4851.0605.45.001	STAFFA DI AGGANCIAMENTO / BRACKET ATTACHMENTS / BRACKETBEFESTIGUNG 45°	1*CHOOSE
005	8115.4851.0605.50.001	STAFFA DI AGGANCIAMENTO / BRACKET ATTACHMENTS / BRACKETBEFESTIGUNG 50°	1*CHOOSE
006	8115.4851.0605.05.002	STAFFA DI AGGANCIAMENTO / BRACKET ATTACHMENTS / BRACKETBEFESTIGUNG 5°	1*CHOOSE
006	8115.4851.0605.10.002	STAFFA DI AGGANCIAMENTO / BRACKET ATTACHMENTS / BRACKETBEFESTIGUNG 10°	1*CHOOSE
006	8115.4851.0605.15.002	STAFFA DI AGGANCIAMENTO / BRACKET ATTACHMENTS / BRACKETBEFESTIGUNG 15°	1*CHOOSE

POS.	CODE	DESCRIPTION	Q.TY
006	8115.4851.0605.20.002	STAFFA DI AGGANCIAMENTO / BRACKET ATTACHMENTS / BRACKETBEFESTIGUNG 20°	1*CHOOSE
006	8115.4851.0605.25.002	STAFFA DI AGGANCIAMENTO / BRACKET ATTACHMENTS / BRACKETBEFESTIGUNG 25°	1*CHOOSE
006	8115.4851.0605.30.002	STAFFA DI AGGANCIAMENTO / BRACKET ATTACHMENTS / BRACKETBEFESTIGUNG 30°	1*CHOOSE
006	8115.4851.0605.35.002	STAFFA DI AGGANCIAMENTO / BRACKET ATTACHMENTS / BRACKETBEFESTIGUNG 35°	1*CHOOSE
006	8115.4851.0605.40.002	STAFFA DI AGGANCIAMENTO / BRACKET ATTACHMENTS / BRACKETBEFESTIGUNG 40°	1*CHOOSE
006	8115.4851.0605.45.002	STAFFA DI AGGANCIAMENTO / BRACKET ATTACHMENTS / BRACKETBEFESTIGUNG 45°	1*CHOOSE
006	8115.4851.0605.50.002	STAFFA DI AGGANCIAMENTO / BRACKET ATTACHMENTS / BRACKETBEFESTIGUNG 50°	1*CHOOSE
007	9008.0608.040	VITE A COLLETTO / SHOULDER SCREW / ANSATZSCHRAUBE	4
008	9009.3000.0890.160	MOLLA / SPRING / FEDER	2
009	9006.002	INGRASSATORE / NIPPLES / SCHMIERUNG	2
010	9030.013.001	CILINDRO SPECIALE / SPECIAL CYLINDER / SPEZIALZYLINDER	1
011	9090.3JBM2.130.090	PUNZONE SBOZZATO TC CON ESPULSORE / BLANK-HEADED PUNCH WITH EJECTOR / ROHLING SCHNEIDSTEMPEL MIT ABSTOSSER 10 90	1*OPTION
011	9090.3JBM2.130.100	PUNZONE SBOZZATO TC CON ESPULSORE / BLANK-HEADED PUNCH WITH EJECTOR / ROHLING SCHNEIDSTEMPEL MIT ABSTOSSER 10 100	1*OPTION
011	093J_M2.130.090	PUNZONE TC CON ESPULSORE / HEADED PUNCH WITH EJECTOR / SCHNEIDSTEMPEL MIT ABSTOSSER 10 90	1*OPTION
011	093J_M2.130.100	PUNZONE TC CON ESPULSORE / HEADED PUNCH WITH EJECTOR / SCHNEIDSTEMPEL MIT ABSTOSSER 10 100	1*OPTION
012	9003.0001	SENSORE DI SICUREZZA / SECURITY SENSOR / SENSOR FÜR SICHERHEIT	1*OPTION
013	9016.090.136.001	PREMILAMIERA CORTO / SHORT BLANKHOLDER / KURZ BLECHHALTER 90MM	1*CHOOSE
013	9016.090.136.002	PREMILAMIERA LUNGO / LONG BLANKHOLDER / LANG BLECHHALTER 90MM	1*CHOOSE
013	9016.100.136.001	PREMILAMIERA CORTO / SHORT BLANKHOLDER / KURZ BLECHHALTER 100MM	1*CHOOSE
013	9016.100.136.002	PREMILAMIERA LUNGO / LONG BLANKHOLDER / LANG BLECHHALTER 100MM	1*CHOOSE
013	8016.090.136.001	PREMILAMIERA CORTO / SHORT BLANKHOLDER / KURZ BLECHHALTER 90MM	1*OPTION
013	8016.090.136.002	PREMILAMIERA LUNGO / LONG BLANKHOLDER / LANG BLECHHALTER 90MM	1*OPTION
013	8016.100.136.001	PREMILAMIERA CORTO / SHORT BLANKHOLDER / KURZ BLECHHALTER 100MM	1*OPTION
013	8016.100.136.002	PREMILAMIERA LUNGO / LONG BLANKHOLDER / LANG BLECHHALTER 100MM	1*OPTION
015	9007.06.020.129.1.4762	VITE / SCREW / SCHRAUBE M6X20	4
016	9004.2350.001	SEGER / SEGER / SEEGERRING	1
017	9007.05.055.129.1.4762	VITE / SCREW / SCHRAUBE M5X55	4
018	9028.05.012.8735	SPINA CILINDRICA / DOWEL PIN / ZYLINDERSTIFT D5X12	2

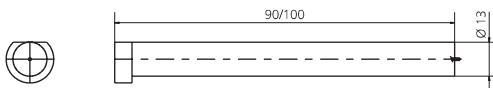
FORZA INIZIALE DI ESTRAZIONE / INITIAL EXTRACTION FORCE **695 daN** SFORZO MAX TRANCIO **6000 daN**
 RÜCKZUGSKRAFT / FORCE INITIALE D'EXTRACTION
 CUTTING MAX FORCE
 FORZA FINALE DI ESTRAZIONE / FINAL FORCE OF EXTRACTION **1530 daN** MAXIMALE SCHNITTKRAFT
 ENDKRAFT DER EXTRAKTION / FORCE FINALE D'EXTRACTION EFFORT MAXI DÉCOUPE



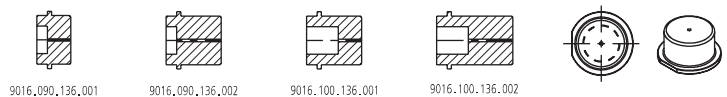
α°	PRESS STROKE	A	B	C	D	E
5°	20.1	121.3	72.5	70	107.15	28
10°	20.3	123.65	67.5	64.3	114.5	35
15°	20.7	125.45	62.5	58.15	118.7	38
20°	21.3	126.8	57.5	52.5	125.8	46
25°	22.05	127.25	51.5	45.45	133.4	53
30°	23.1	126	41.8	38.15	140.7	58
35°	24.4	126.2	37.8	31.35	146.2	63
40°	26.1	123.55	30.8	22.7	155.25	71
45°	28.3	127.6	22.5	21.15	161.7	76
50°	31.1	123.6	15.5	14.2	175.2	86

* PER INCLINAZIONI FUORI STANDARD RIVOLGERSI ALL'UFFICIO TECNICONESTARK / * FOR NON-STANDARD INCLINATIONS, PLEASE CONTACT NEWSTARK TECHNICAL OFFICE.
 / * FÜR NICHT STANDARDMÄSSIGE NEIGUNGEN WENDEN SIE SICH BITTE AN DAS TECHNISCHE BÜRO VON NEWSTARK

0011 (9090) PUNZONE SBOZZATO / BLANK PUNCH / ROHLING SCHNEIDSTEMPEL ISO8020



013 (9016) PREMILAMIERA SBOZZATO / BLANK-BLANKHOLDER / ROHLING BLECHHALTER



011 (093J_) PUNZONE SAGOMATO / SHAPED PUNCH / GEFORMT SCHNEIDSTEMPEL ISO8020



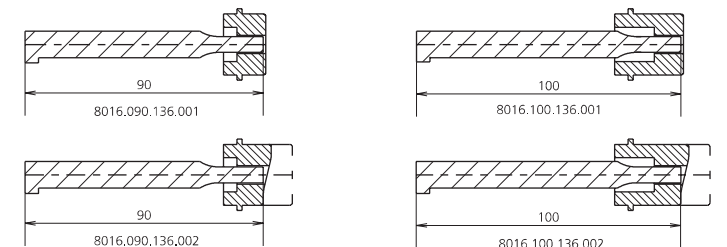
013 (8016) PREMILAMIERA SAGOMATO / SHAPED BLANKHOLDER / GEFORMT BLECHHALTER



012 (9003) SENSORE / SENSOR / SENSOR



12 PATENT PENDING



MODELLO D'ORDINE / ORDER EXAMPLE / BESTELLBEISPIEL / MODÈLE DE COMMANDE

MODEL **0148.6953** INCLINATION **+10°** BLANKHOLDER **9016/8016.** OPTION CODE **9003.0001**