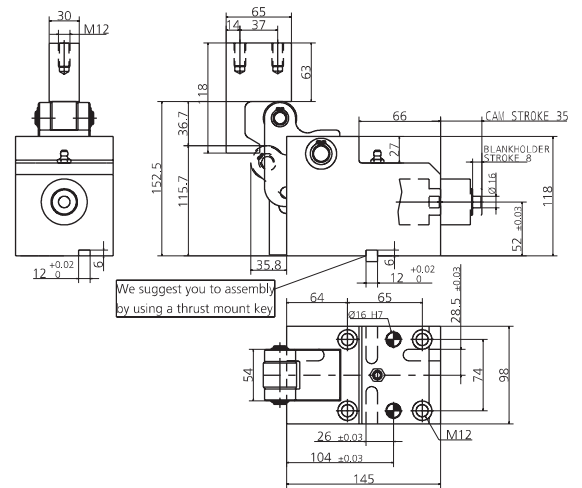
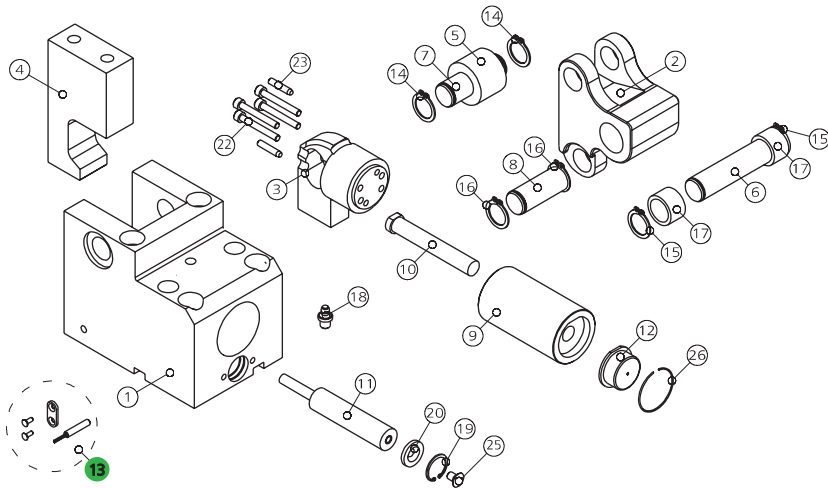


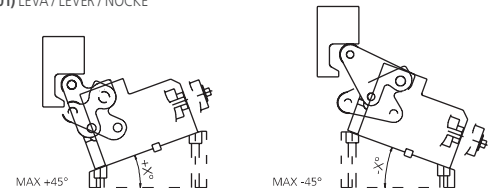
FORZA INIZIALE DI ESTRAZIONE / INITIAL EXTRACTION FORCE **695 daN**
 RÜCKZUGSKRAFT / FORCE INITIALE D'EXTRACTION
 FORZA FINALE DI ESTRAZIONE / FINAL FORCE OF EXTRACTION **1530 daN**
 ENDKRAFT DER EXTRACTION / FORCE FINALE D'EXTRACTION

SFORZO MAX TRANCIO **6000 daN**
 CUTTING MAX FORCE
 MAXIMALE SCHNITTKRAFT
 EFFORT MAXI DÉCOUPE

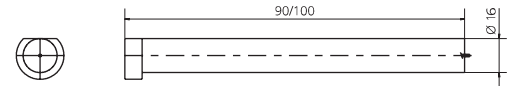


| POS. | CODE | DESCRIPTION | Q.TY |
|------|-------------------------------|--|----------|
| 001 | 8000.0043.0695 | CORPO CAMMA / CAM BODY / GRUNDGEHÄUSE | 1 |
| 002 | 8001.0043.0695.000 | LEVA / LEVER / NOCKE 0 | 1 |
| 002 | 8001.0043.0695.615 | LEVA / LEVER / NOCKE +0.01 +15 | 1*OPTION |
| 002 | 8001.0043.0695.630 | LEVA / LEVER / NOCKE +15.01 +30 | 1*OPTION |
| 002 | 8001.0043.0695.645 | LEVA / LEVER / NOCKE +30.01 +45 | 1*OPTION |
| 002 | 8001.0043.0695.715 | LEVA / LEVER / NOCKE -0.01 -15 | 1*OPTION |
| 002 | 8001.0043.0695.730 | LEVA / LEVER / NOCKE -15.01 -30 | 1*OPTION |
| 002 | 8001.0043.0695.745 | LEVA / LEVER / NOCKE -30.01 -45 | 1*OPTION |
| 003 | 8002.0043.0695 | FLANGIA / FLANGE / FLANSCH | 1 |
| 004 | 8003.1180.0650.300.001 | INCUDINE / ANVIL / DRUCKSTÜCK | 1*OPTION |
| 005 | 8004.0370.0280.200.001 | ROTELLA / ROLLER / ROLLE | 1 |
| 006 | 8005.0980.0910.200.001 | PERNO / PIN / STIFT | 1 |
| 007 | 8005.0610.0540.200.001 | PERNO / PIN / STIFT | 1 |
| 008 | 8005.0530.0460.200.001 | PERNO / PIN / STIFT | 1 |
| 009 | 9030.016.001 | CILINDRO SPECIALE / SPECIAL CYLINDER / SPEZIALZYLINDER | 1 |
| 010 | 9090.3JBM2.160.090 | PUNZONE TC CON ESPULSORE / HEADED PUNCH WITH EJECTOR / SCHNEIDSTEMPEL MIT ABSTOSSER 16 90 | 1*OPTION |
| 010 | 9090.3JBM2.160.100 | PUNZONE TC CON ESPULSORE / HEADED PUNCH WITH EJECTOR / SCHNEIDSTEMPEL MIT ABSTOSSER 16 100 | 1*OPTION |
| 010 | 093J_M2.160.090 | PUNZONE TC CON ESPULSORE / HEADED PUNCH WITH EJECTOR / SCHNEIDSTEMPEL MIT ABSTOSSER 16 90 | 1*OPTION |
| 010 | 093J_M2.160.100 | PUNZONE TC CON ESPULSORE / HEADED PUNCH WITH EJECTOR / SCHNEIDSTEMPEL MIT ABSTOSSER 16 100 | 1*OPTION |
| 011 | 9000.0038.0019.001 | CILINDRO DI RITORNO / RETURN CYLINDER / RÜCK ZYLINDER | 1 |
| 012 | 9016.090.136.001 | PREMILAMIERA CORTO / SHORT BLANKHOLDER / KURZ BLECHHALTER 90MM | 1*CHOOSE |
| 012 | 9016.090.136.002 | PREMILAMIERA LUNGO / LONG BLANKHOLDER / LANG BLECHHALTER 90MM | 1*CHOOSE |
| 012 | 9016.100.136.001 | PREMILAMIERA CORTO / SHORT BLANKHOLDER / KURZ BLECHHALTER 100MM | 1*CHOOSE |
| 012 | 9016.100.136.002 | PREMILAMIERA LUNGO / LONG BLANKHOLDER / LANG BLECHHALTER 100MM | 1*CHOOSE |
| 012 | 8016.090.136.001 | PREMILAMIERA CORTO / SHORT BLANKHOLDER / KURZ BLECHHALTER 90MM | 1*OPTION |
| 012 | 8016.090.136.002 | PREMILAMIERA LUNGO / LONG BLANKHOLDER / LANG BLECHHALTER 90MM | 1*OPTION |
| 012 | 8016.100.136.001 | PREMILAMIERA CORTO / SHORT BLANKHOLDER / KURZ BLECHHALTER 100MM | 1*OPTION |
| 012 | 8016.100.136.002 | PREMILAMIERA LUNGO / LONG BLANKHOLDER / LANG BLECHHALTER 100MM | 1*OPTION |
| 013 | 8107.0143.6956.001 | KIT SENSORE DI SICUREZZA / SECURITY SENSOR KIT / KIT SENSOR FÜR SICHERHEIT | 1*OPTION |
| 014 | 9004.1200.001 | SEEGER / SEEGER / SEEGERRING | 2 |
| 015 | 9004.1200.001 | SEEGER / SEEGER / SEEGERRING | 2 |
| 016 | 9004.1200.001 | SEEGER / SEEGER / SEEGERRING | 2 |
| 017 | 9005.0116.0020.001 | CUSCINETTO / BEARING / LAGER | 2 |
| 018 | 9006.003 | INGRASSATORE / NIPPLE / SCHMIERUNG | 1 |
| 019 | 9004.2220.001 | SEEGER / SEEGER / SEEGERRING | 1 |
| 020 | 8006.0130.0218.065.001 | RONDELLA / WASHER / UNTERLEGSCHIBE | 1 |
| 022 | 9007.05.035.129.1.4762 | VITE / SCREW / SCHRAUBE M5X35 | 4 |
| 023 | 9028.050.016.8735 | SPINA CILINDRICA / DOWEL PIN / ZYLINDERSTIFT D5X16 | 2 |
| 025 | 9007.06.014.129.1.5933 | VITE / SCREW / SCHRAUBE M6X14 | 1 |
| 026 | 9004.2350.001 | SEEGER / SEEGER / SEEGERRING | 1 |

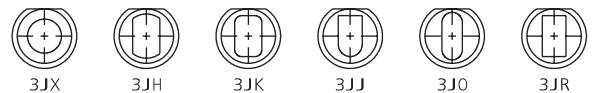
002 (8001) LEVA / LEVER / NOCKE



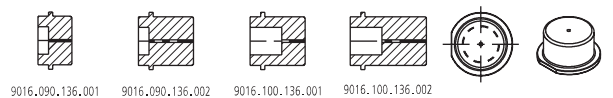
010 (9090) PUNZONE SBOZZATO / BLANK PUNCH / ROHLING SCHNEIDSTEMPEL ISO8020



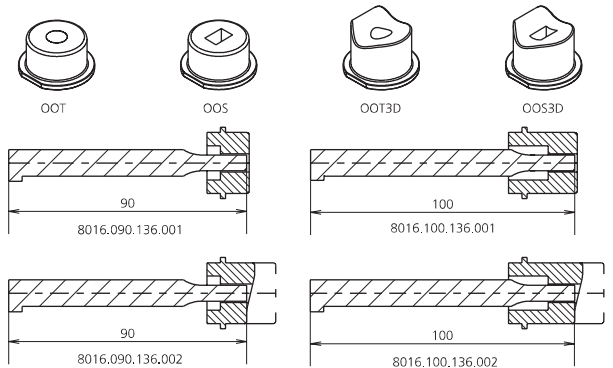
010 (093J_) PUNZONE SAGOMATO / SHAPED PUNCH / GEFORMT SCHNEIDSTEMPEL ISO8020



012 (9016) PREMILAMIERA SBOZZATO / BLANK-BLANKHOLDER / ROHLING BLECHHALTER



012 (8016) PREMILAMIERA SAGOMATO / SHAPED BLANKHOLDER / GEFORMT BLECHHALTER



013 (8107) SENSORE / SENSOR / SENSOR



16 PATENT PENDING

MODELLO D'ORDINE / ORDER EXAMPLE / BESTELLBEISPIEL / MODÈLE DE COMMANDE

MODEL **0143.6956** INCLINAZIONE **+10°** BLANKHOLDER **9016/8016.** OPTION CODE **8001.0043.0695.615**